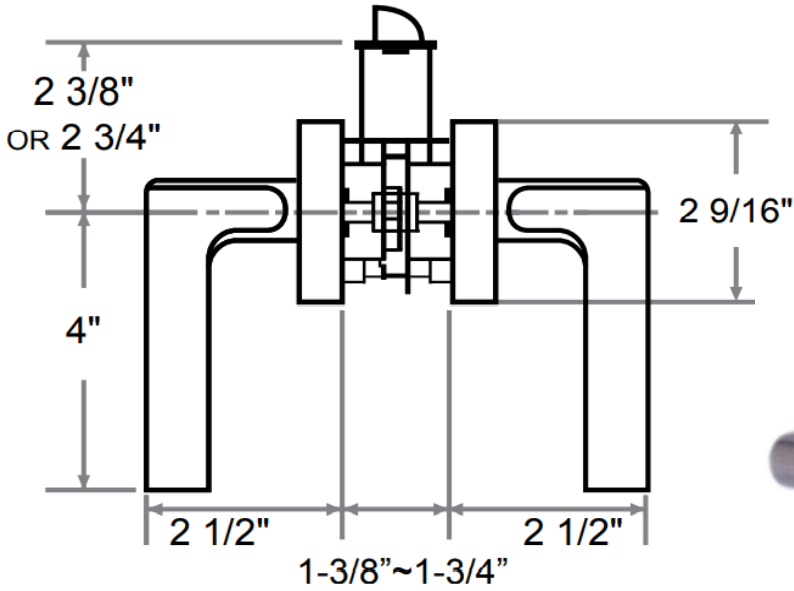


Transionale Collection- Philtower Lever



STANDARD SPECIFICATION

Door Prep	Cross Bore: 2-1/8"	Cylinder	N/A
	Edge Bore: 1"		
	Latch Face: 1" x 2 1/4"		
Backset	Fits 2- 3/8" & 2-3/4" Adjustable	Latch	Radius Corner Standard Mortise, 1" throw *Drive-in (non-mortised) available upon request
Door Thickness	1- 3/8"- 1-3/4"		Handing
ANSI/BHMA	A 156.2 Grade III	Material	Zinc
Faceplate	1" x 2-1/4" round(R=.25")	Strike Plate	2-1/4" full lip round(R=.25")
Warranty	* Limited 25 year mechanical warranty, * Limited 5 year finish warranty		

*Finishes Available -US 10B(Oil-Rubbed Bronze),US 15 (Satin Nickel),US 19 (Black),US6(Chrome)

FUNCTION

	Passage (00700)
	Privacy (00710)
	Dummy (00705)