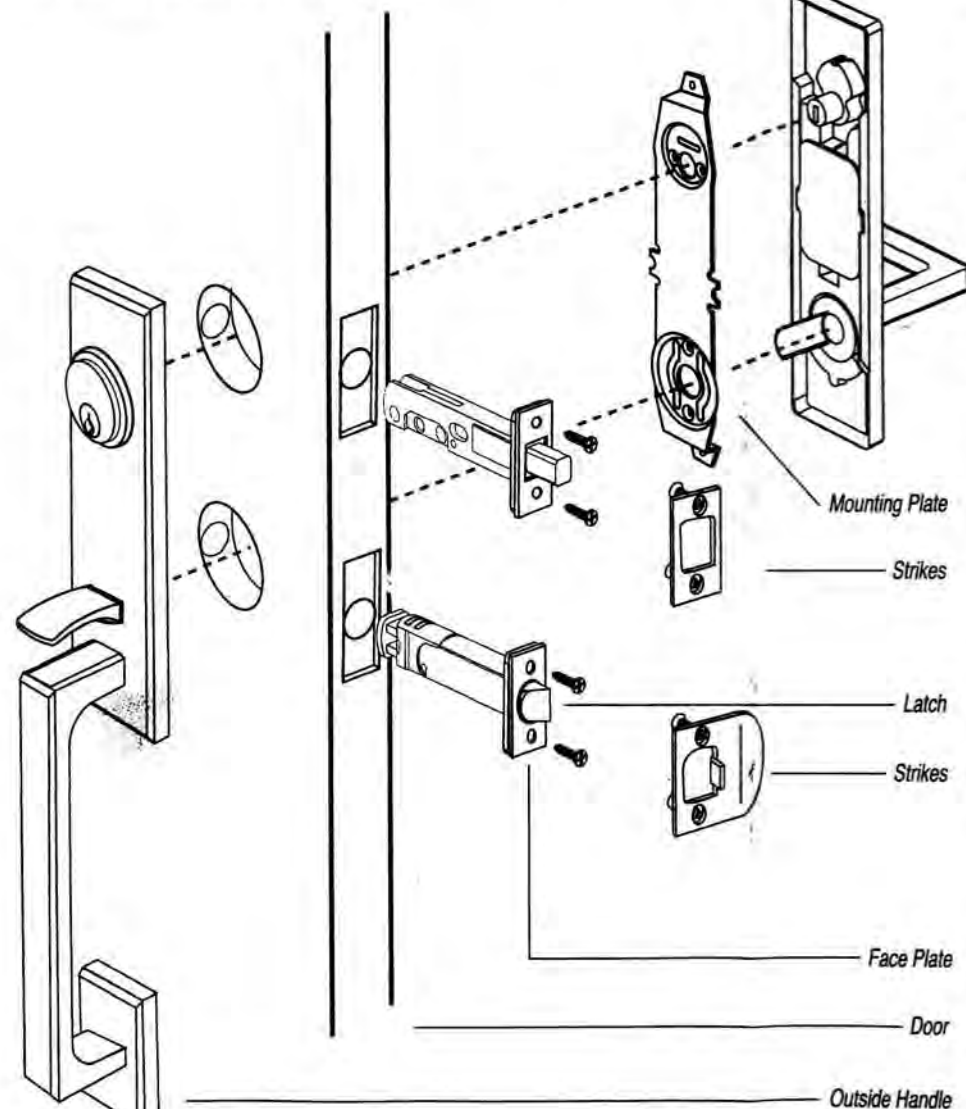


Premiere 6600/6800 Series

Installation Instructions



Tools You'll Need



Phillips Screwdriver



Wood Chisel



Hammer



Power Drill

Getting Started

You have purchased one of the finest locksets in the world today. It deserves to be carefully installed and properly maintained. If you are installing Premiere on a new door, follow the New Door Preparation Instructions carefully! If you are installing Premiere on an existing door, be sure that the existing holes will be covered by both the inside and outside escutcheons. Carefully line up the supplied template before proceeding.

Note: Make all adjustments BEFORE you begin installation (see adjustments on back)



Care Tips For New Installations

Tarnishing of exterior brass is a natural process. It is not a defect, but a normal mellowing with age. Over time, the protective lacquer coating can break down due to the environment so it is important to treat your Premiere Handleset like a fine piece of furniture. Wipe it with a damp cloth and apply a coat of high quality paste wax two or three times a year.

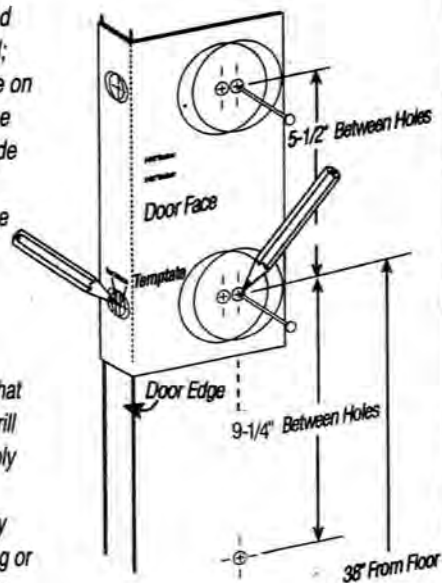
Warning: Do not use any abrasives or strong chemicals on your handleset.

New Door Preparation

If your door is new, follow these six steps to make it ready to install your Premiere Handleset. If your door is not new, and you are replacing an existing door handle, see INSTALLATION INSTRUCTIONS.

A Mark The Door

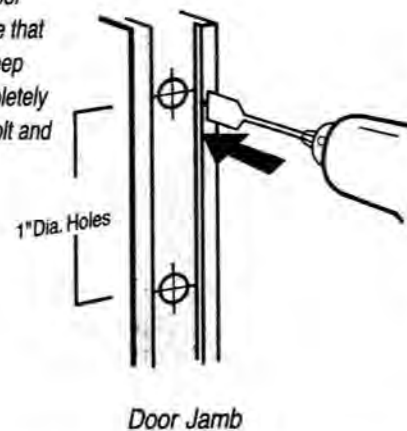
Mark The Door
Remove Template from this sheet and fold it as indicated; place the template on the high side of the door bevel (the side opposite the door stop) and mark the center of the holes with a nail or a tack.



NOTE: The holes that you are going to drill must be reasonably square with the surface or you may experience binding or sluggish operation.

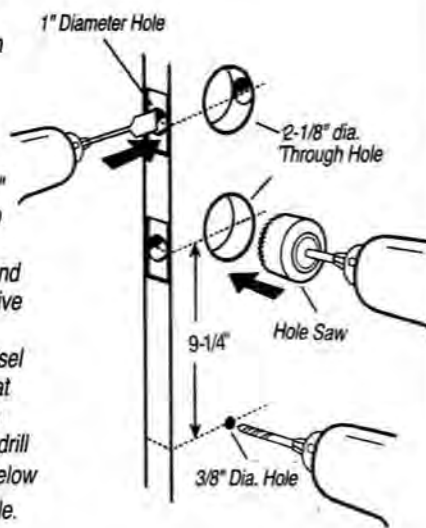
D Drill Strike Holes

Drill two 1" diameter holes into the door jamb. Make sure that the holes are deep enough to completely clear the deadbolt and the latch.



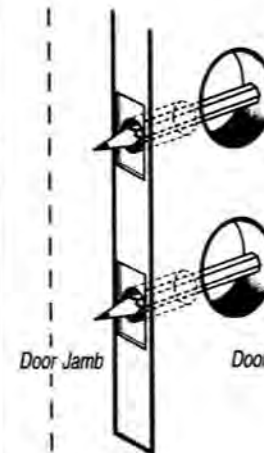
B Drill The Holes

First, drill one upper 2-1/8" and one lower 2-1/8" diameter hole through the door facing as indicated on the template. Then drill two 1" holes through the edge of the door to the 2-1/8" that were already drilled. Continue the top 1" hole an additional 1/2" into the backside of the 2-1/8" hole. Insert the deadbolt and the latch into their respective holes. Mark around the faceplate and remove. Chisel out the marked area so that the faceplate mounts flush with the door edge. Also, drill a 3/8" hole exactly 9-1/4" below the center of the 2-1/8" hole.

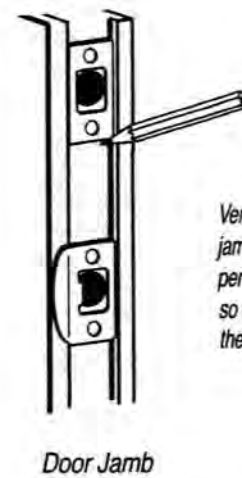


C Mark Door Jamb

With the door closed, use a short pencil in the 1" holes to mark the deadbolt and latch hole locations on the door jamb.

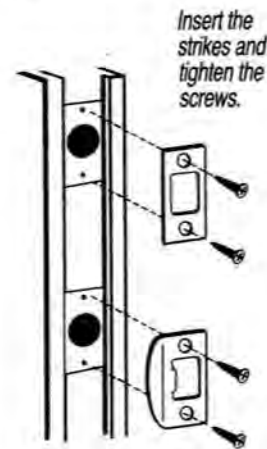


E Locate Strikes

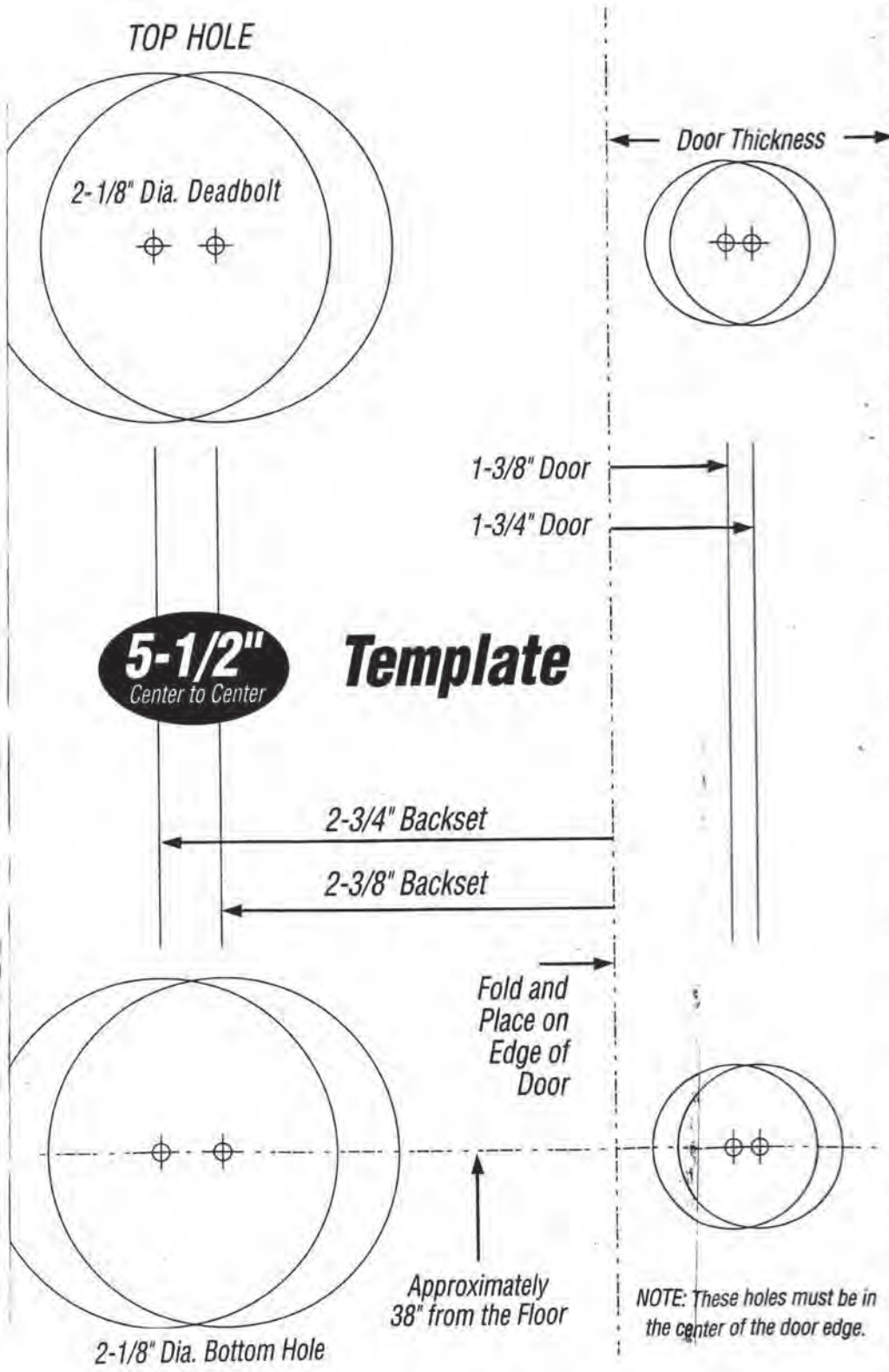


Vertically align the strikes on the door jamb. Mark around the strike with a pencil and chisel out the marked area so that the strikes mount flush against the door jamb.

F Install Strikes



Insert the strikes and tighten the screws.



Follow Steps 1 Thru 4 If Your Door is Already Fully Prepared

INSTALLATION INSTRUCTIONS

1 Install Latches

First, install the upper deadbolt in the 1" diameter hole with the bolt fully extended. Then install the lower latch into the 1" diameter hole directly below. Make sure that the curved surface of the lower latch is facing in the direction that the door is closing. Insert and tighten wood screws. Make all adjustments for the backset first.

2 Install Exterior Handleset

Your lockset is preset at the factory for a right-hand door. If you require the opposite hand, refer to figures c and d. With the key removed and the deadbolt extended, align the flat tail piece of the cylinder so that it is vertical and slip it through the deadbolt cam. Push the jaws of the lower housing into the slots on the lower latch body. The post at the bottom on the outside should fit into the 3/8" hole on the door. This hole can be enlarged slightly if needed (on the outside only). Try the thumb piece to make sure the latch is properly engaged.

Collar
Shipping Bracket

Note: Remove collar and shipping bracket before installation

3 Install Mounting Plate

While holding the handleset against the outside of the door, position the mounting plate on the inside of the door over the holes and attach it with the screws as shown. Check the operation of the thumb piece and the key, making sure that everything functions smoothly.

Mounting Plate

4 Install Interior Handleset

Note that the thumbturn moves a cam on the inside of the escutcheon. Position this cam so that the arrow on it points to the edge of the door. Slide the cylinder tail piece into the cam and the lever spindle into the main housing. Slide the escutcheon so that it's tight against the door, making sure that locator lugs on the escutcheon are engaged on to locator hole on the mounting plate.

Install and tighten the two 1/2" screws. Both the deadbolt and the lower latch should retract when lever is activated in either direction.

Mounting Plate
Interior Handleset

Use Instructions A through D To Adjust Your New Handleset

ADJUSTMENTS

A Adjusting the Backset for the Deadbolt

The latch is pre-set at the factory for a 2-3/8" backset. To adjust the latch to the longer 2-3/4" length, grasp the adjustment pin between your thumb and forefinger and lift. Slide adjustment pin back and set into the 2-3/4" slot.

Adjustment Pin
2-3/8" Backset
2-3/4" Backset

B Adjusting the Backset for the Latch

The latch is pre-set at the factory for 2-3/8" backset. To adjust the latch to the longer 2-3/4" length, simply snap on the white latch extension unit.

2-3/8" Backset
Latch Extension
2-3/4" Backset

C Adjusting Left/Right for the Exterior

To change Right/Left hand setting of the exterior side of the handleset, lift the plastic insert straight out, pick up and rotate the spindle to the opposite side. Replace the plastic insert into the opposite side. Note: The spindle and the plastic insert work together.

Spindle
Plastic Insert