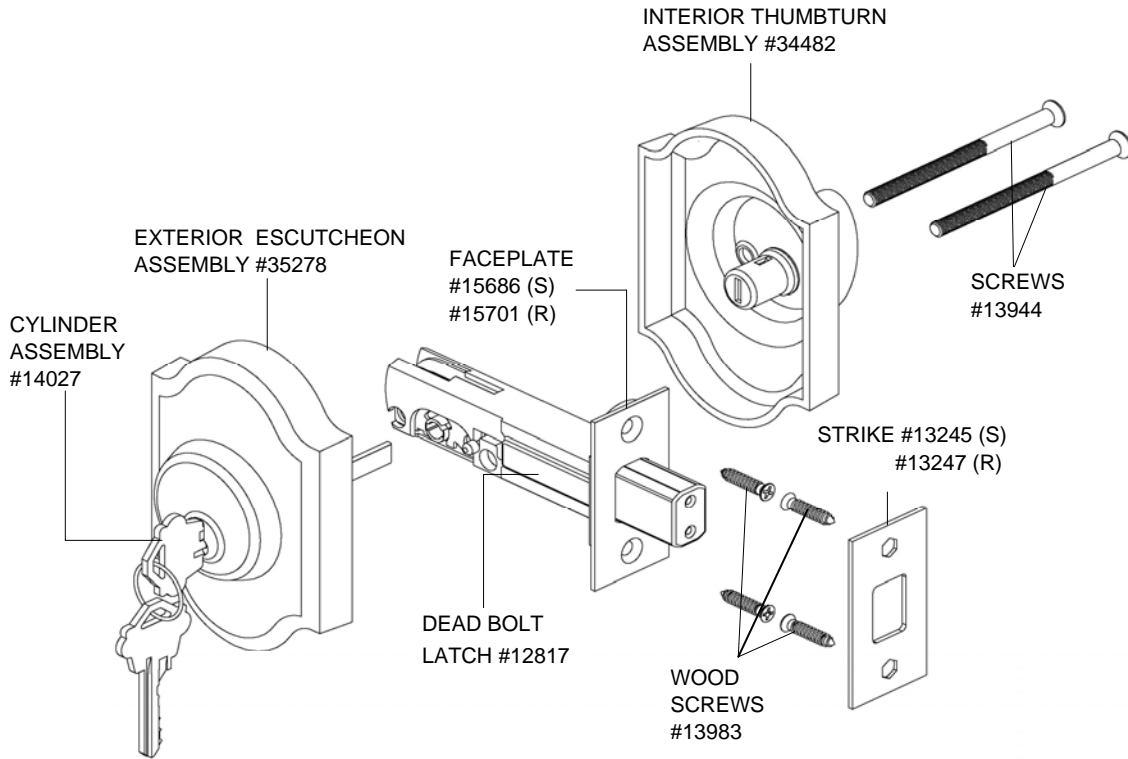


Premiere

1771 Single Cylinder



Note: Assembly Screws accommodate standard door thickness 1 3/8" to 2" (35-51 mm)

* Finishes available: (N, 1, P)

Cylinder Assembly				Deadbolt Latch	
	Single	Double	Dummy	1" Latch Throw	
Cylinder Assembly	14027	14746	N/A	Convertible Backset 2 3/8" to 2 3/4" (60-70 mm)	
Cylinder Tailpiece	14568	14745	N/A		
Cylinder Retaining Screw	13910	13910	13910		
Cylinder Cap	14247	14247	14247		
Cylinder Pin Drive	14041	14041	14041		
				Latch & Strike Screws	
				Wood Door & Jamb (8 Each)	13983
				Metal Door & Jamb (8 Each)	13903
				3" Wood Screw (2 Each)	13969