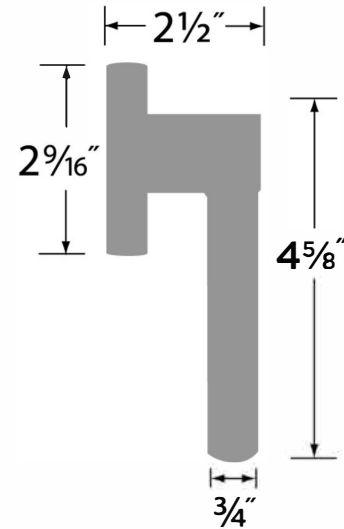


## Marin Lever



DESCRIPTION	PRODUCT CODE	CASE
Passage (hall/closet) Both sides always free	MR101	12
Privacy (bed/bath) Locked by push pin. Unlocked by push pin, lever turn, or emergency pin outside	MR102	12
Entry-Locked/unlocked by inside finger turn or outside key	MR107	12
Dummy (closet) Inactive, single-sided, flush mount with two wood screws	MR100	12
Handleset Interior Trim	MR100-H	12

### Finishes

15 Satin Nickel  
26 Polished Chrome  
FBL Flat Black

### Door Handing

Non-handed

### Door Thickness

1 3/8" to 1 3/4"

### Key Cylinder

5 Pin KW1  
5 Pin SC1 option

### Strike Plate

2 1/4" x 1 3/4" full-lip radius corner standard

### Latch

2 1/4" x 1" radius corner faceplate or  
4 way drive-in latch  
Adjustable 2 3/8" or 2 3/4"  
45 degree turn radius  
1/2" throw bolt

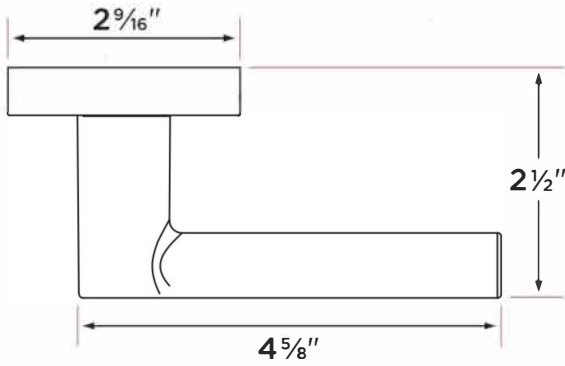
### Door Prep

Crossbore 2 1/8"  
Edgebore 1"

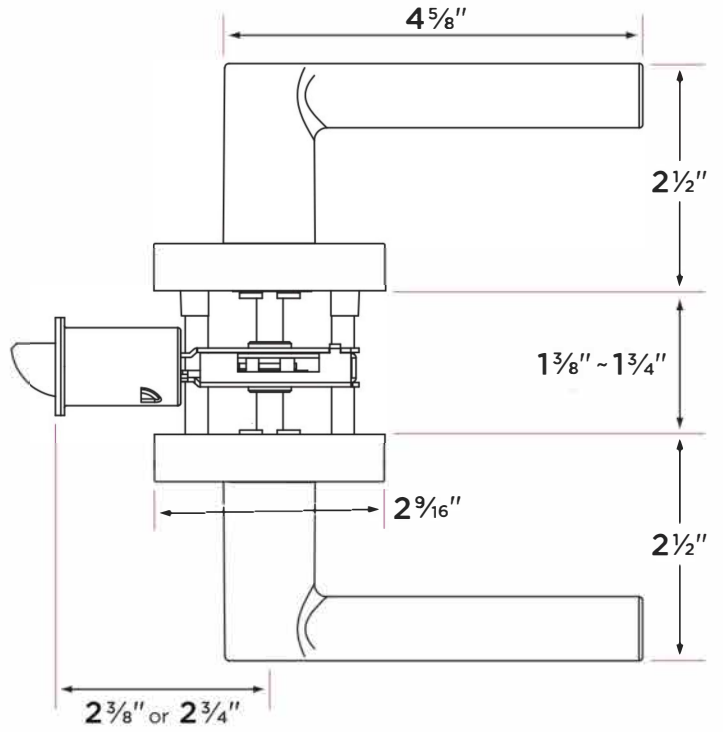
### Materials

Zinc  
All metal parts

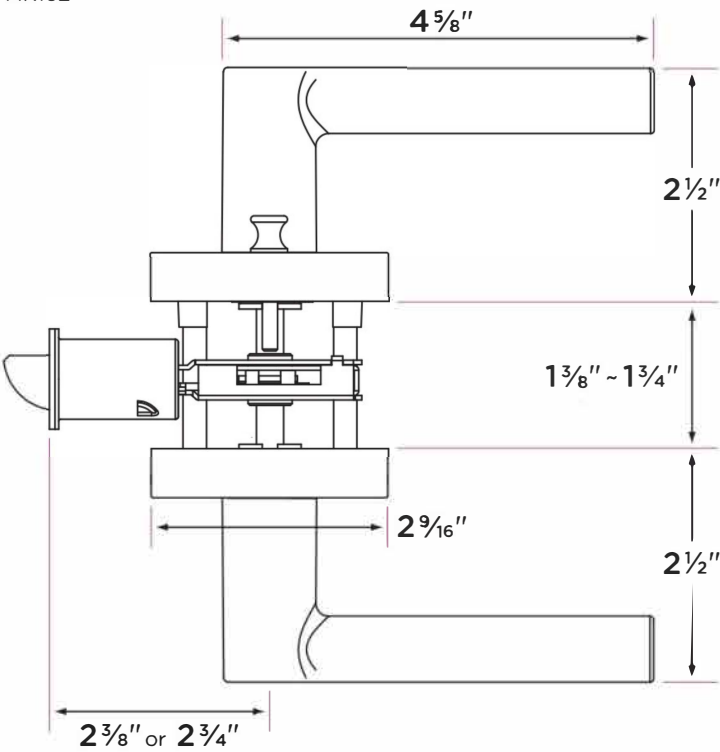
MR100



MR101



MR102



MR107

