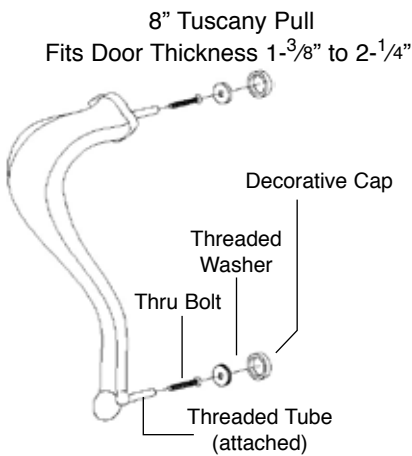


**Screw Specifications
Tuscany Bronze 8" Pulls**

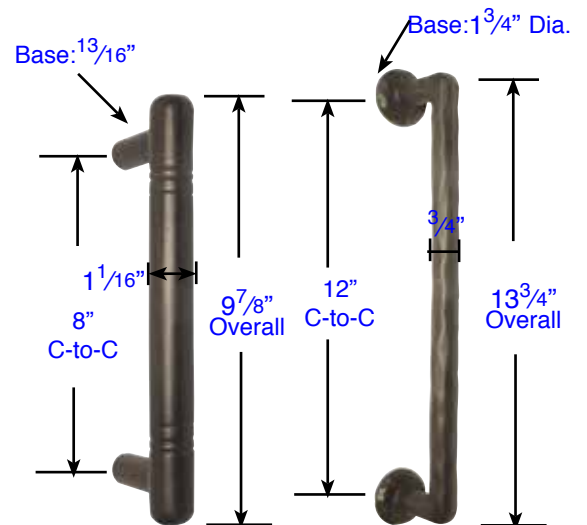
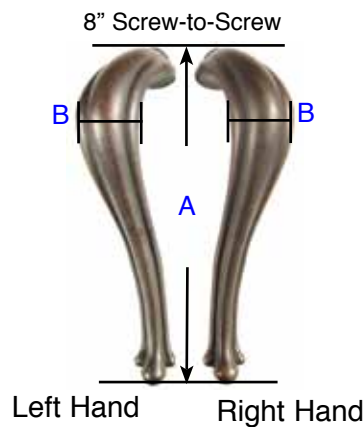
Standard Components:
• 1", 10-32 Screws
• 1", 14-20 Screws

**Screw Specifications
Tuscany Bronze 18" Pulls**

Standard Components:
• #10, 1" Wood Screws



**Screw Specifications
Art Nouveau 8" Pull**
• 1 1/2", 8-32 Screws



Standard Components:
• 1", 10-32 Screws
• 1", 14-20 Screws
• Inserts for 14-20 screws
• Inserts for 10-32 screws