

Long Plate Door Hardware Lever Installation Addendum

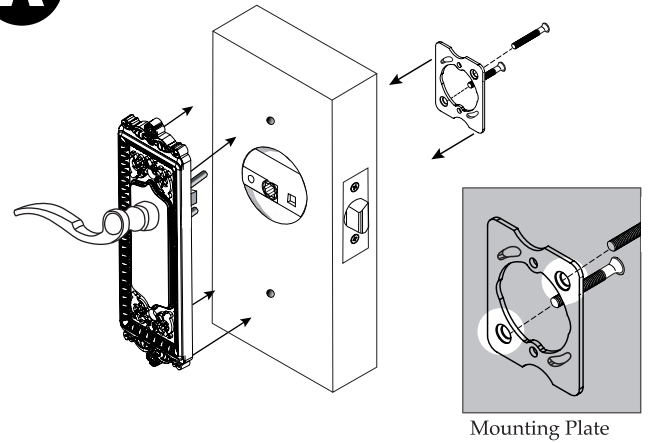
Updated July 2016

Passage/Privacy

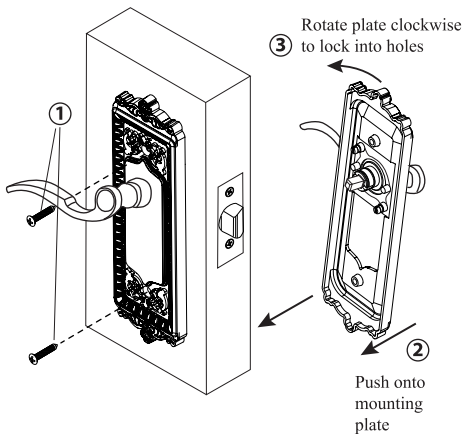
Note: Passages and privacies fit doors 1-3/8" to 1-3/4" thick

Grandeur levers are handed. If your lockset is not handed correctly for your door, it can still be installed. The only difference is that the mounting plate will be on the opposite side of the door.

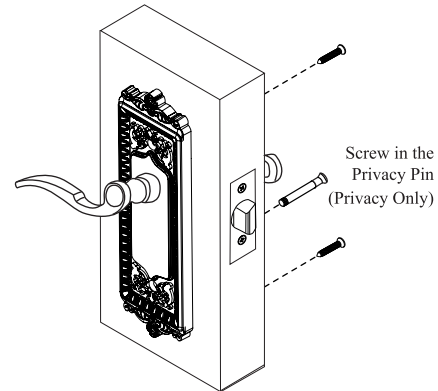
A Right Hand Door - INSIDE view



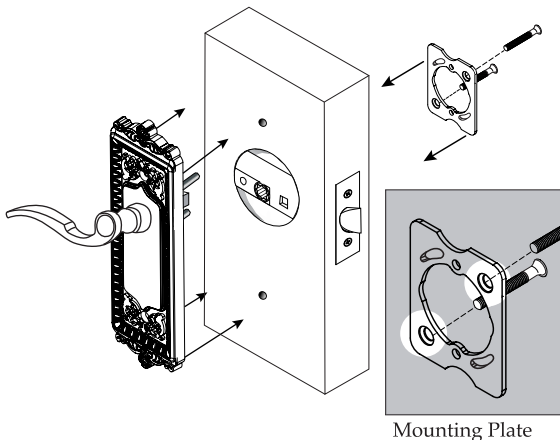
B Right Hand Door - INSIDE view



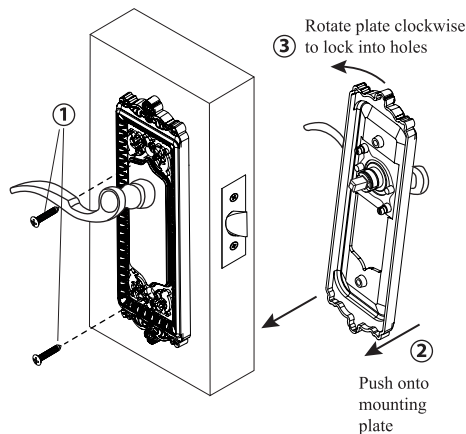
C Right Hand Door - INSIDE view



D Left Hand Door
OUTSIDE view



E Left Hand Door
OUTSIDE view



F Left Hand Door
OUTSIDE view

