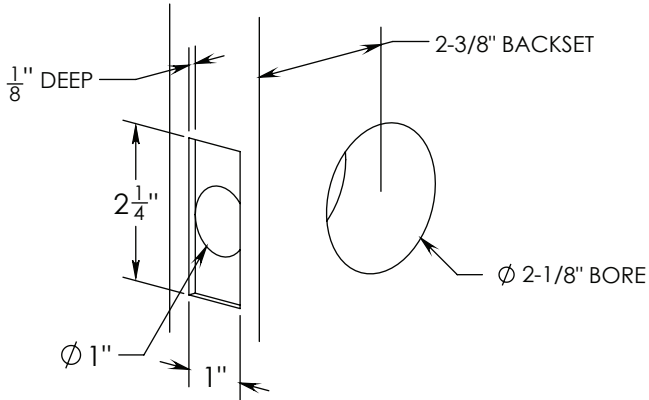


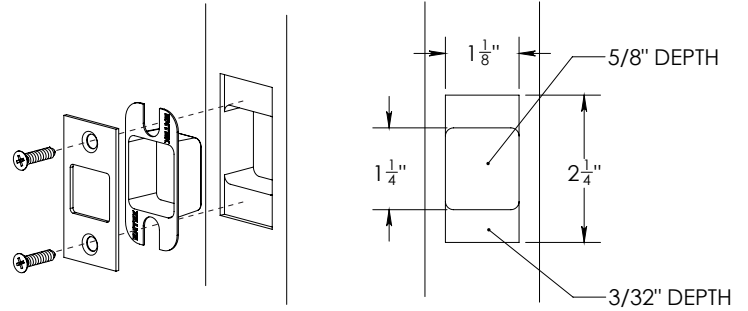
Installation Instructions - Tubular Pocket Door Lock, Privacy Function

EMTEK®

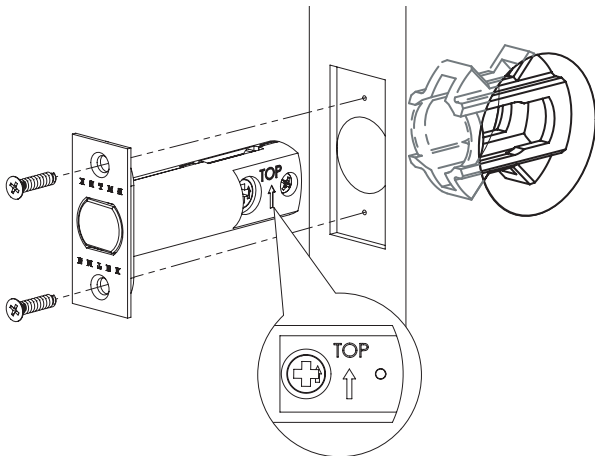
1. Door Prep



2. Jamb Prep



3. Install Latch



4. Install Interior and Exterior Trims

