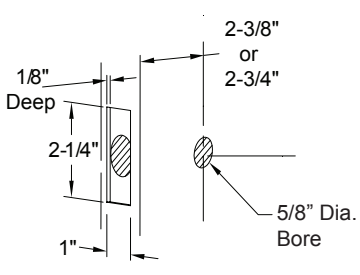
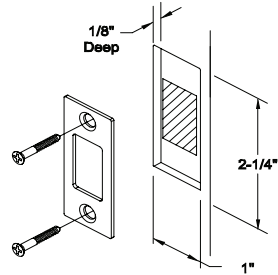
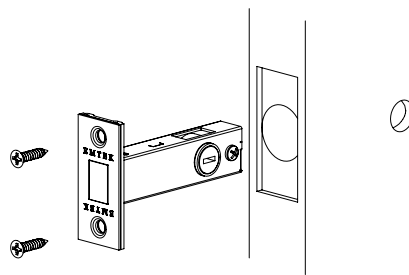
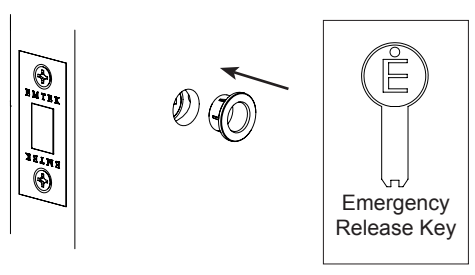
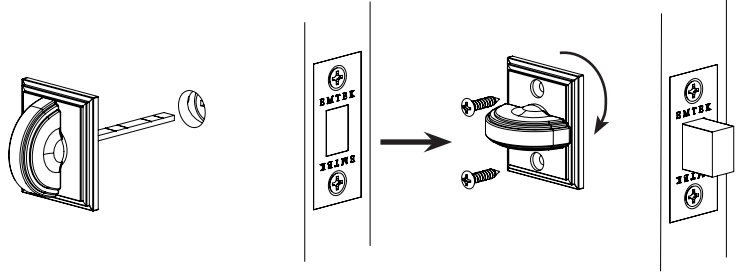


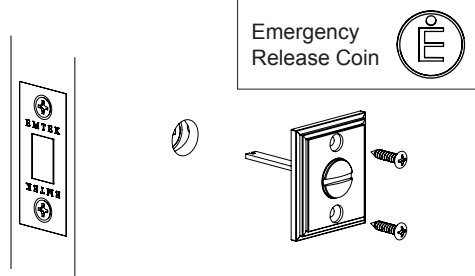
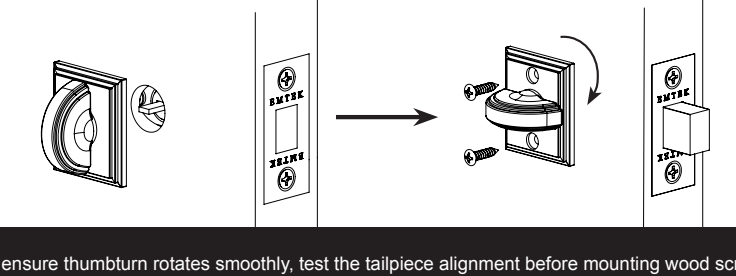
Installation Guide for Mix Match Thumbturn Privacy Bolts

1. Door Prep	2. Door Jamb	3. Install Latch
 <p>18" Deep 2-1/4" 1" 2-3/8" or 2-3/4" 5/8" Dia. Bore</p>	 <p>1/8" Deep 2-1/4" 1"</p>	

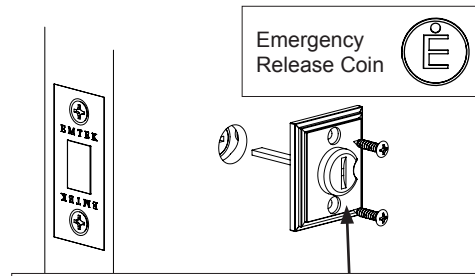
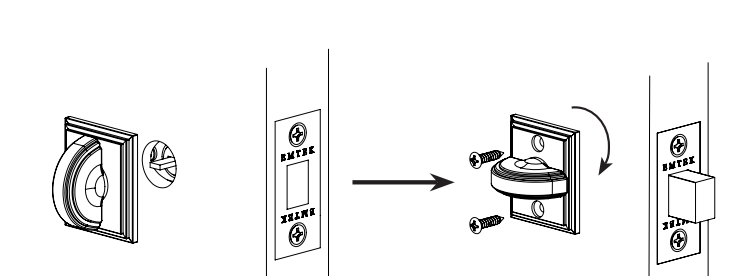
Installation for Single Rosette Configuration

A. Install Exterior Bushing	B. Install Interior trim
 <p>Emergency Release Key</p> <p>Optional: Adhesive may be used if desired</p>	 <p>To ensure thumbturn rotates smoothly, test the tailpiece alignment before mounting wood screws.</p>

Installation for Double Rosette Configuration

A. Install exterior trim	B. Install Interior Trim
 <p>Emergency Release Coin</p>	 <p>To ensure thumbturn rotates smoothly, test the tailpiece alignment before mounting wood screws.</p>

Installation for Double Rosette Configuration with Occupancy Indicator

A. Install exterior trim	B. Install Interior Trim
 <p>Emergency Release Coin</p> <p>Install with the green color visible and orientated towards the hinge side of the door.</p>	 <p>To ensure thumbturn rotates smoothly, test the tailpiece alignment before mounting wood screws.</p>