

**Additional Dimensions: (Part # 4818)**

- Exterior Projection is 2 3/4"
- Interior Projection Depends on Handle Style
- Overall Grip thickness: 1"
- Clearance between door & grip is 1" - 1 3/4"
- Plates thickness: 1/2"

*Same Dimensions for  
Double Cylinder & Dummy Function*

**Additional Dimensions: (Part # 4819)**

- Exterior Projection is 2 3/4"
- Interior Projection Depends on Handle Style
- Overall Grip thickness: 1"
- Clearance between door & grip is 1 7/16"
- Plates thickness: 1/2"

*Same Dimensions for  
Double Cylinder & Dummy Function*

## Brass Tubular Entryset Monolithic & Full Length, Single Cylinder

Transitional Heritage (4717), Davos (4818), Lausanne (4819), Apollo (4815), Orion (4816), Zeus (4814)

<ul style="list-style-type: none"> <li>• Standard Door Thickness: 1<sup>3</sup>/<sub>4</sub>" - 2<sup>1</sup>/<sub>8</sub>"</li> <li>Standard Components:</li> <li>• 1<sup>1</sup>/<sub>2</sub>" Rosette Screws</li> <li>• Single Cylinder Tailpiece</li> <li>• Outside Entry Spindle</li> <li>• Inside Passage Half Spindle</li> <li>• 2<sup>1</sup>/<sub>4</sub>" Deadbolt Mounting Screws</li> <li>• Full-Lip Strike Plate</li> <li>• Deadbolt Strike Plate</li> </ul>	<ul style="list-style-type: none"> <li>• <b>Extended</b> Door Thickness: 2<sup>1</sup>/<sub>4</sub>" - 2<sup>1</sup>/<sub>2</sub>"</li> <li>Extended Components:</li> <li>• 2" Rosette Screws</li> <li>• Long Single Cylinder Tailpiece</li> <li>• Long Outside Entry Spindle</li> <li>• Long Inside Passage Half Spindle</li> <li>• 3" Deadbolt Mounting Screws</li> <li>• Spindle Extensions</li> <li>• Extended Full-Lip Strike Plate</li> <li>• Deadbolt Strike Plate</li> </ul>	<ul style="list-style-type: none"> <li>• <b>Extended</b> Door Thickness: 2<sup>1</sup>/<sub>2</sub>" - 3"</li> <li>Extended Components:</li> <li>• 2<sup>1</sup>/<sub>2</sub>" Rosette Screws</li> <li>• Extra Long Single Cylinder Tailpiece</li> <li>• Long Outside Entry Spindle</li> <li>• Extra Long Inside Passage Half Spindle</li> <li>• 3" Deadbolt Mounting Screws</li> <li>• Spindle Extensions</li> <li>• Extended Full-Lip Strike Plate</li> <li>• Deadbolt Strike Plate</li> </ul>
---	--	--

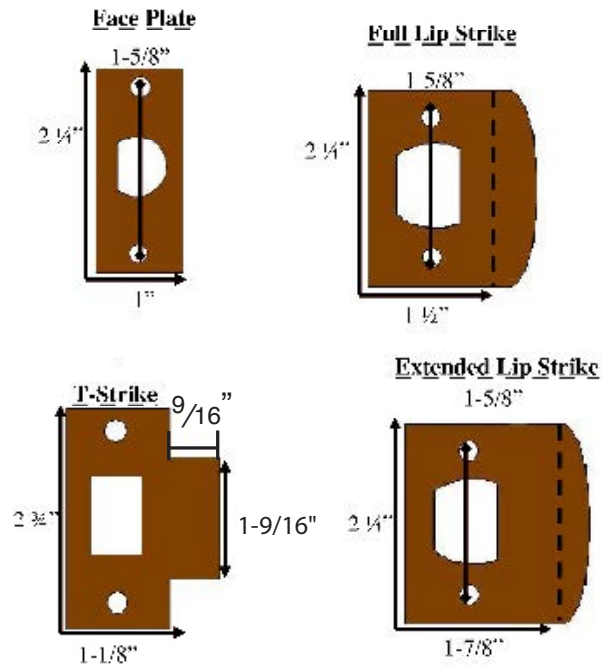
## Brass Tubular Entryset Monolithic & Full Length, Double Cylinder

Transitional Heritage (4727), Davos (4828), Lausanne (4829), Apollo (4825), Orion (4826), Zeus (4824)

<ul style="list-style-type: none"> <li>• Standard Door Thickness: 1<sup>3</sup>/<sub>4</sub>" - 2"</li> <li>Standard Components:</li> <li>• 1<sup>1</sup>/<sub>2</sub>" Rosette Screws</li> <li>• Double Cylinder Tailpiece</li> <li>• Outside Entry Spindle</li> <li>• Inside Passage Half Spindle</li> <li>• 2<sup>1</sup>/<sub>4</sub>" Deadbolt Mounting Screws</li> <li>• Full-Lip Strike Plate</li> <li>• Deadbolt Strike Plate</li> </ul>	<ul style="list-style-type: none"> <li>• <b>Extended</b> Door Thickness: 2" - 2<sup>5</sup>/<sub>8</sub>"</li> <li>Extended Components:</li> <li>• 2" Rosette Screws</li> <li>• Long Double Cylinder Tailpiece</li> <li>• Long Outside Entry Spindle</li> <li>• Long Inside Passage Half Spindle</li> <li>• 3" Deadbolt Mounting Screws</li> <li>• Spindle Extensions</li> <li>• Extended Full-Lip Strike Plate</li> <li>• Deadbolt Strike Plate</li> </ul>	<ul style="list-style-type: none"> <li>• <b>Extended</b> Door Thickness: 2<sup>5</sup>/<sub>8</sub>" - 2<sup>7</sup>/<sub>8</sub>"</li> <li>Extended Components:</li> <li>• 2<sup>1</sup>/<sub>2</sub>" Rosette Screws</li> <li>• Long Double Cylinder Tailpiece</li> <li>• Long Outside Entry Spindle</li> <li>• Extra Long Inside Passage Half Spindle</li> <li>• 3<sup>1</sup>/<sub>2</sub>" Deadbolt Mounting Screws</li> <li>• Spindle Extensions</li> <li>• Extended Full-Lip Strike Plate</li> <li>• Deadbolt Strike Plate</li> </ul>
--	---	--

\* Part # DB4-COLLAR32 Available for 1<sup>3</sup>/<sub>8</sub>" Thick Doors

## Face and Strike Plates



## Deadbolt Strike Plates

