

Additional Dimensions: (Part # 4213)

- Exterior Projection is $2\frac{5}{8}''$
- Interior Projection Depends on Handle Style
- Overall Grip thickness: $1''$
- Clearance between door & grip is $1\frac{3}{8}''$
- Plates thickness: $\frac{1}{2}''$

*Same Dimensions for
Double Cylinder & Dummy Function*

Brass Tubular Entryset Sectional, Single Cylinder

Saratoga (4410), Knoxville (4310), Hamden (4213), Nashville (4312), Franklin (4413)

- Standard Door Thickness: 1³/₄" - 2¹/₈"
- Standard Components:
 - 1¹/₂" Rosette Screws
 - Single Cylinder Tailpiece
 - Outside Entry Spindle
 - Inside Passage Half Spindle
 - 2¹/₄" Deadbolt Mounting Screws
 - Full-Lip Strike Plate
 - Deadbolt Strike Plate

- **Extended** Door Thickness: 2¹/₄" - 2⁵/₈"
- Extended Components:
 - 2" Rosette Screws
 - Long Single Cylinder Tailpiece
 - Long Outside Entry Spindle
 - Long Inside Passage Half Spindle
 - 3" Deadbolt Mounting Screws
 - Spindle Extensions
 - Extended Full-Lip Strike Plate
 - Deadbolt Strike Plate

- **Extended** Door Thickness: 2⁵/₈" - 3"
- Extended Components:
 - 2¹/₂" Rosette Screws
 - Extra Long Single Cylinder Tailpiece
 - Long Outside Entry Spindle
 - Extra Long Inside Passage Half Spindle
 - 3¹/₂" Deadbolt Mounting Screws
 - Spindle Extensions
 - Extended Full-Lip Strike Plate
 - Deadbolt Strike Plate

Brass Tubular Entryset Sectional, Double Cylinder

Saratoga (4420), Knoxville (4320), Hamden (4223), Nashville (4322), Franklin (4423)

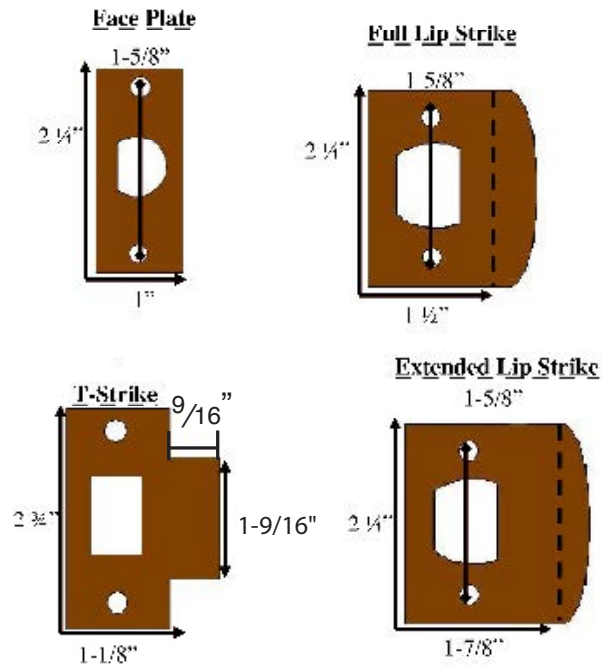
- Standard Door Thickness: 1⁵/₈" - 2¹/₈"
- Standard Components:
 - 1¹/₂" Rosette Screws
 - Double Cylinder Tailpiece
 - Outside Entry Spindle
 - Inside Passage Half Spindle
 - 2¹/₄" & 2¹/₂" Deadbolt Mounting Screws
 - Full-Lip Strike Plate
 - Deadbolt Strike Plate

- **Extended** Door Thickness: 2¹/₄" - 2⁵/₈"
- Extended Components:
 - 2" Rosette Screws
 - Long Double Cylinder Tailpiece
 - Long Outside Entry Spindle
 - Long Inside Passage Half Spindle
 - 3" Deadbolt Mounting Screws
 - Spindle Extensions
 - Extended Full-Lip Strike Plate
 - Deadbolt Strike Plate

- **Extended** Door Thickness: 2⁵/₈" - 2⁷/₈"
- Extended Components:
 - 2¹/₂" Rosette Screws
 - Extra Long Double Cylinder Tailpiece
 - Long Outside Entry Spindle
 - Extra Long Inside Passage Half Spindle
 - 3¹/₂" Deadbolt Mounting Screws
 - Spindle Extensions
 - Extended Full-Lip Strike Plate
 - Deadbolt Strike Plate

* Part # DB4-COLLAR32 Available for 1³/₈" Thick Doors

Face and Strike Plates



Deadbolt Strike Plates

