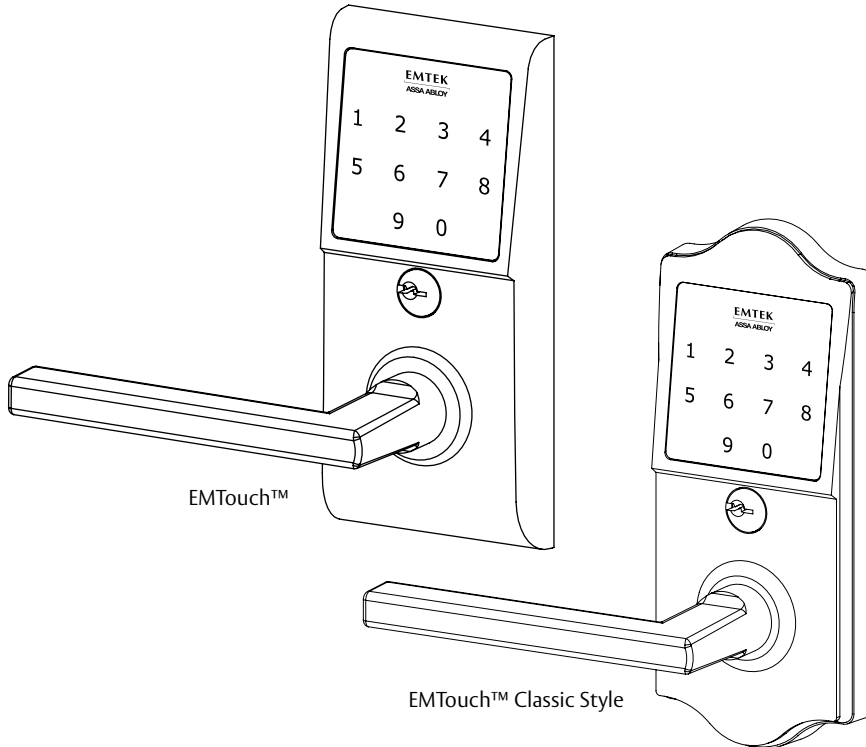


# Installation & Programming Guide

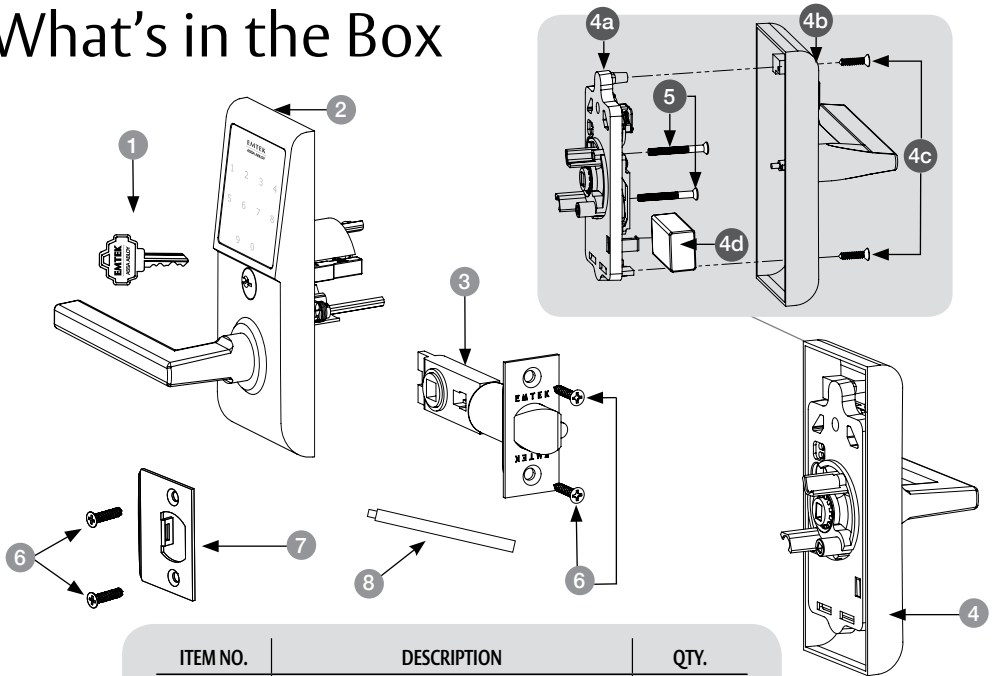
## EMTouch™ & EMTouch™ Classic Style Electronic Lever Locksets

**EMTEK**<sup>®</sup>  
ASSA ABLOY



ASSA ABLOY, the global leader in door opening solutions

# What's in the Box



ITEM NO.	DESCRIPTION	QTY.
1	Key	2
2	Outside Trim Plate Assembly	1
3	Latch for 2 3/8" or 2 1/4" Backset	1
4	Inside Trim Plate Assembly	1
4a	Inside Chassis	1
4b	Inside Trim Plate	1
4c	#8-32 x 3/8" Flat Head Machine Screw	2
4d	9V Alkaline Battery	1
5	#8-32 x 1 1/2" Flat Head Machine Screw	2
6	#8 x 3/4" Wood Screw	4
7	Strike Plate	1
8	Plastic Extender	1

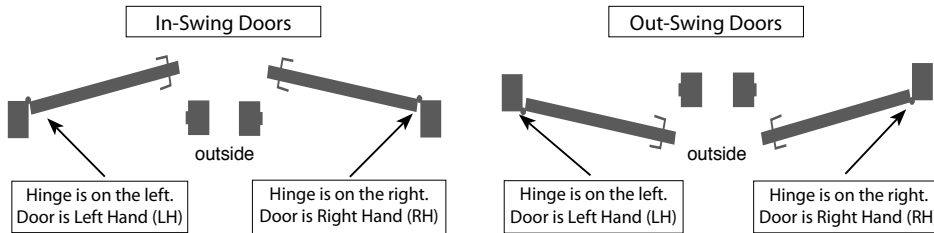
# Preparation

## Confirm Handing

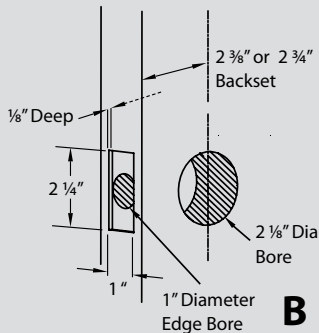
A

EN

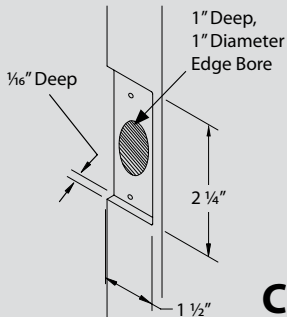
**HANDING OF DOOR IS ALWAYS DETERMINED FROM THE OUTSIDE**



### Door Prep

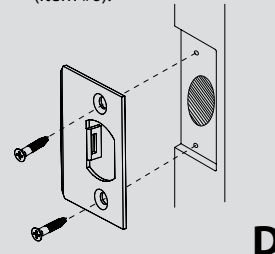


### Door Jamb Prep



### Install Strike Plate

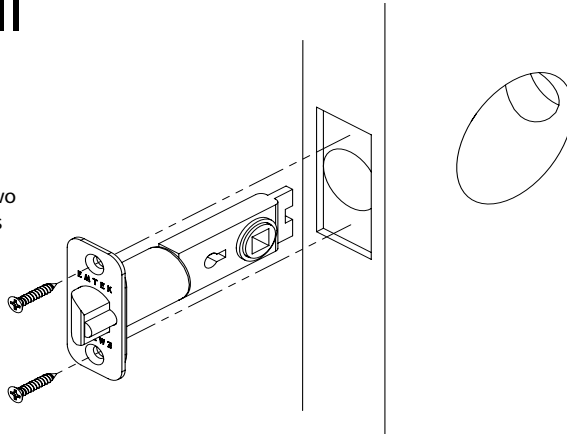
Fasten Strike Plate using two #8 x  $\frac{3}{4}$ " Wood Screws (item #6).



# How to Install


## 1 Install Latch

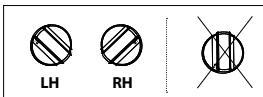
Fasten Latch using two #8 x 3/4" Wood Screws (item #6).



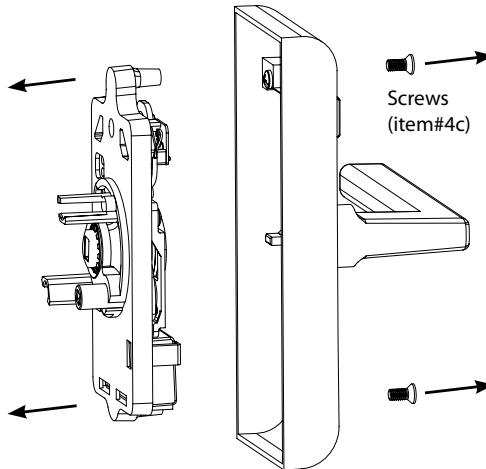
## Remove Screws from Inside Trim Plate

Use a Phillips head screwdriver to remove screws (item #4c) shown below and detach Inside Trim Plate from the Inside Chassis.

  
**Remove inside chassis from trim plate before installing the outside trim. Thumbturn must be in neutral position.**



See Page 3 for Handling Information.

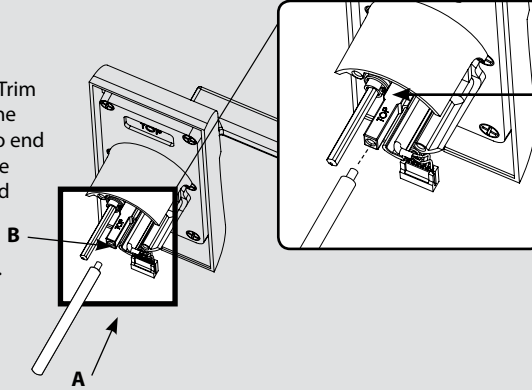


## 2

## Install Outside Trim Plate Assembly

### STEP 1

While holding Outside Trim Plate Assembly, Press the Plastic Extender (A) into end of Spindle Shaft (B). The Shaft is properly aligned when the marking 'TOP' can be seen from an overhead view.



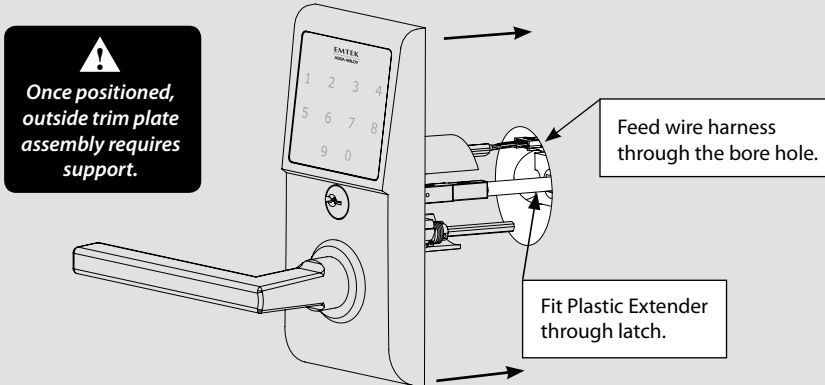
EN

! This side on top.

3

### STEP 2

Position the Outside Trim Plate Assembly through the bore hole.



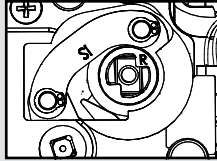
### STEP 3

With the Outside Trim Plate Assembly flush to the door, **REMOVE** the Plastic Extender.

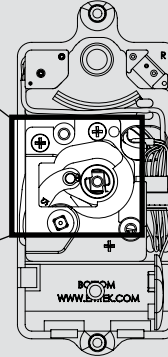
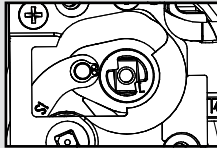
## Install Inside Chassis

**STEP 1** Confirm the position of Cam Link.

**For Right Hand Locks:**  
Turn to right position.

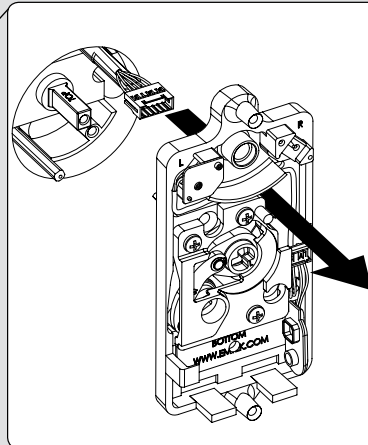
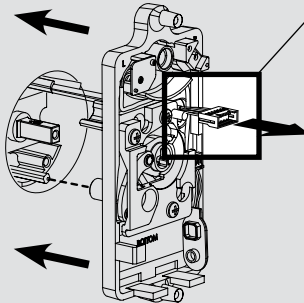


**For Left Hand Locks:**  
Turn to left position.



  
**Cam link must remain  
in the correct position  
during installation.**

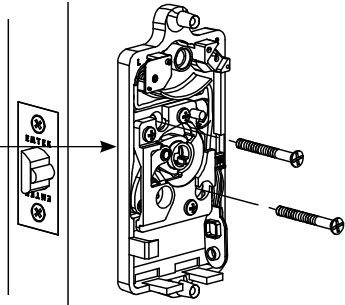
**STEP 2** Feed the Wire Harness through Inside Chassis.



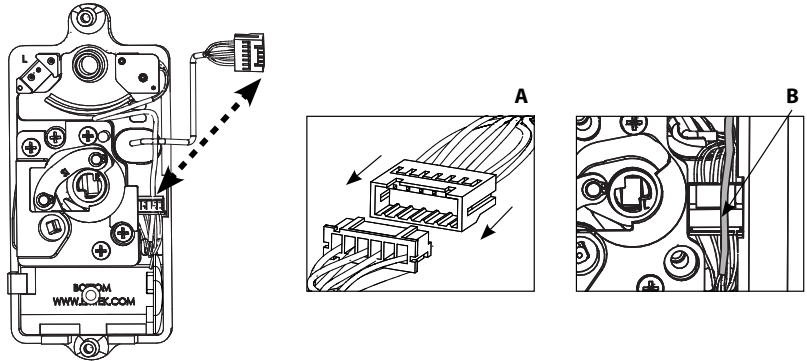
4

**STEP 3** Fasten Inside Chassis using two #8-32 x 1½" Flat Head Machine Screw (item #5).

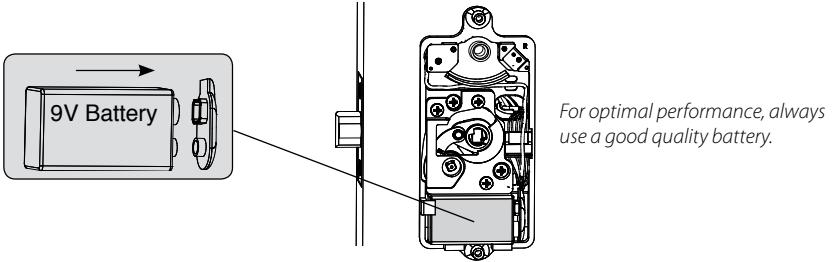
  
**Check alignment before fully tightening screws.**



**STEP 4** Connect Wire Harness (A) and tuck Connectors as shown (B).



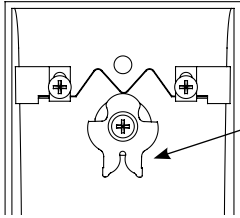
**STEP 5** Install Battery.




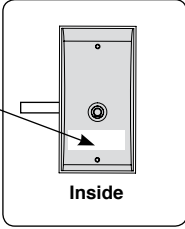
# 5

## Install Inside Trim Plate

Fasten Inside Trim Plate using two #8-32 x 3/8" Flat Head Machine Screws (item #4c).

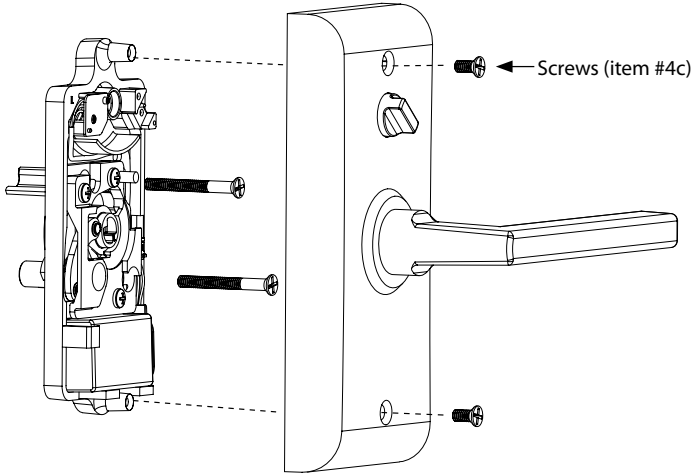


  
*User codes are located on the inside trim plate & back cover page.*



  
*Correct position for installation. Thumbcam must be positioned as shown (Neutral Position)\**

**\*Neutral position** is required for installation and removal of the Inside Trim Plate Assembly.





# How to Use

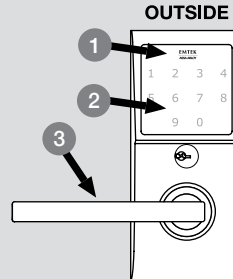
## Your Lock is Ready to Use

EN

Your Emtek lock is shipped with two 4-digit user codes and a 6-digit programming code. These codes are randomly generated at the factory. (Turn to next page for Programming Instructions.)

### To Unlock

1. Press EMTEK key or touch 3 fingers across screen.
2. Enter 4-digit user codes.  
(See sticker located on the inside trim plate or back cover page).
3. Turn Handle.



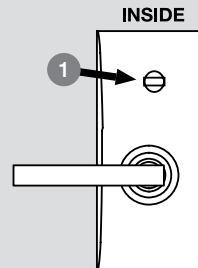
### Passage Feature

(Does not apply to Keypad Storeroom/Gate product)

Activate by turning the inside thumbturn to the unlocked position. This will engage the outside lever so a code is not required to enter.

### To Lock

1. Rotate Thumbturn from inside.



# How to Program

## Programming Your Lock

In order to perform each of the following six functions, the lock must first be placed in Programming Mode:

1. Press and hold EMTEK button for 3 seconds
2. **Yellow** LED flashes, then remains solid\*, number keys also illuminate
3. Enter Programming Code
4. **Yellow** LED flashes, then 2 beeps
5. **Yellow** LED remains solid (awaiting button press; see following table)

If You Wish To	Press Button	Actions		Indicators
Change Programming Code (6 digits)	1	Enter New Programming Code (6 digits)	Re-Enter New Programming Code (6 digits)	<ul style="list-style-type: none"> <li>• 1 <b>Green</b> LED flash</li> <li>• 1 beep</li> <li>• 1 <b>Green</b> LED flash</li> <li>• 1 beep</li> <li>• 2 <b>Green</b> LED flashes</li> <li>• 2 beeps</li> </ul>
Add User Code (4 digits) (Store up to 20 User Codes)	2	Enter New User Code (4 digits)	Re-Enter New User Code (4 digits)	<ul style="list-style-type: none"> <li>• 1 <b>Green</b> LED flash</li> <li>• 1 beep</li> <li>• 1 <b>Green</b> LED flash</li> <li>• 1 beep</li> <li>• 2 <b>Green</b> LED flashes</li> <li>• 2 beeps</li> </ul>
Delete User Code	3	Enter User Code to be Deleted	Re-Enter User Code to be Deleted	<ul style="list-style-type: none"> <li>• 1 <b>Green</b> LED flash</li> <li>• 1 beep</li> <li>• 1 <b>Green</b> LED flash</li> <li>• 1 beep</li> <li>• 2 <b>Green</b> LED flashes</li> <li>• 2 beeps</li> </ul>
**Enable/Disable All User Codes	4	Entering '4' disables all Users (enables all if disabled)		<ul style="list-style-type: none"> <li>• 2 <b>Green</b> LED flashes</li> <li>• 2 beeps</li> </ul>
Delete All User Codes	5	Re-Enter Programming Code		<ul style="list-style-type: none"> <li>• 1 <b>Green</b> LED flash</li> <li>• 1 beep</li> <li>• 2 <b>Green</b> LED flashes</li> <li>• 2 beeps</li> </ul>
Turn Beeper On/Off	6	Entering '6' turns OFF (or ON)		<ul style="list-style-type: none"> <li>• 1 <b>Green</b> LED flash</li> <li>• 1 beep</li> <li>• 2 <b>Green</b> LED flashes</li> <li>• 2 beeps</li> </ul>

\*If no input within 20 seconds, **Yellow** LED goes out, **Red** LED flashes and lock exits Programming Mode.

\*\*Also referred to as "vacation mode". This command temporarily disables all user codes (metal key override will still work).

## Keypad Operation - Beeper & LED Indicators

EN

Function	Indicators
Valid Code	• 1 short beep, EMTEK button flashes <b>Green</b> .
Invalid Code/Access Denied*	• 1 <b>Red</b> LED flash • 2 short beeps
Lock-Out Mode Error	• 2 short beeps • 1 short beep per second for duration
Access Accepted	• 1 short beep • 1 <b>Green</b> LED flash
Low Battery	• 4 <b>Red</b> LED flashes • 4 short beeps
Blackout Battery**	• 1 long <b>Red</b> LED flash • 4 long beeps
Button Press Accepted	• 1 <b>Yellow</b> LED flash • 1 Short Beep
Outside Thumb Turn Enabled	• 2 <b>Green</b> LED flashes

\* If 3 consecutive incorrect codes are entered, the lock emits 4 short beeps and a flashing **Red** EMTEK button. The lock will not accept additional input for 20 seconds (20 beeps). When the next valid code is entered the lock will beep quickly 3 times to alert of the incorrect codes.

\*\* Battery voltage has dropped too low; keypad will be disabled but metal key override will still work.

### Restoring the Lock to Factory Default Setting

This procedure clears the lock of all users and restores the Programming Code and 2 User Codes shipped with the lock.

- Press and hold EMTEK button for 3 seconds.
- Enter "000000"
- After 2 beeps and 2 **Green** LED Flash, remove power (disconnect 9V battery) from Lock.
- After 5 seconds, restore power (reconnect 9V battery).
- Confirm by 2 beeps and 2 **Green** LED Flash.

U.S. patents:

**8,176,761**

**8,141,400**

Canadian patents:

**2,698,041**

**2,789,278**

**2,789,280**

ASSA ABLOY is the global leader in door opening solutions, dedicated to satisfying end-user needs for security, safety and convenience.

**EMTEK®**

**ASSA ABLOY**

EMTEK Products, Inc.  
15250 E. Stafford Street  
City of Industry • CA 91744  
Tel: 800-356-2741 • 626-961-0413  
Fax: 800-577-5771 • 626-336-2812  
emtek.com

Place Sticker Here



Copyright © 2017, Emtek Products, Inc. an ASSA ABLOY Group company. All rights reserved. Reproduction in whole or in part without the express written permission of Emtek Products, Inc. is prohibited.

IN8-EMTOUCHLL

REV 17A 1/30/17