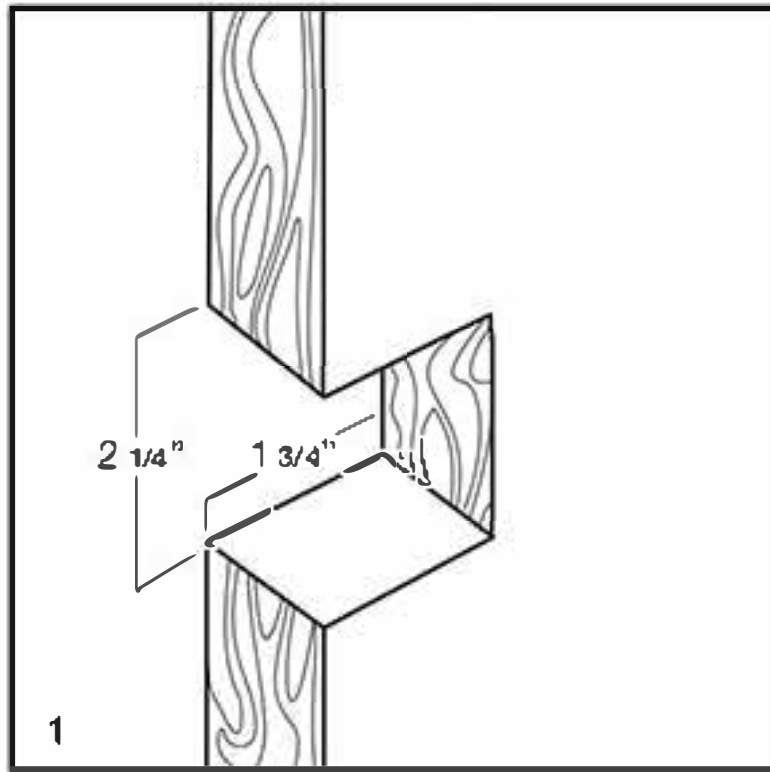
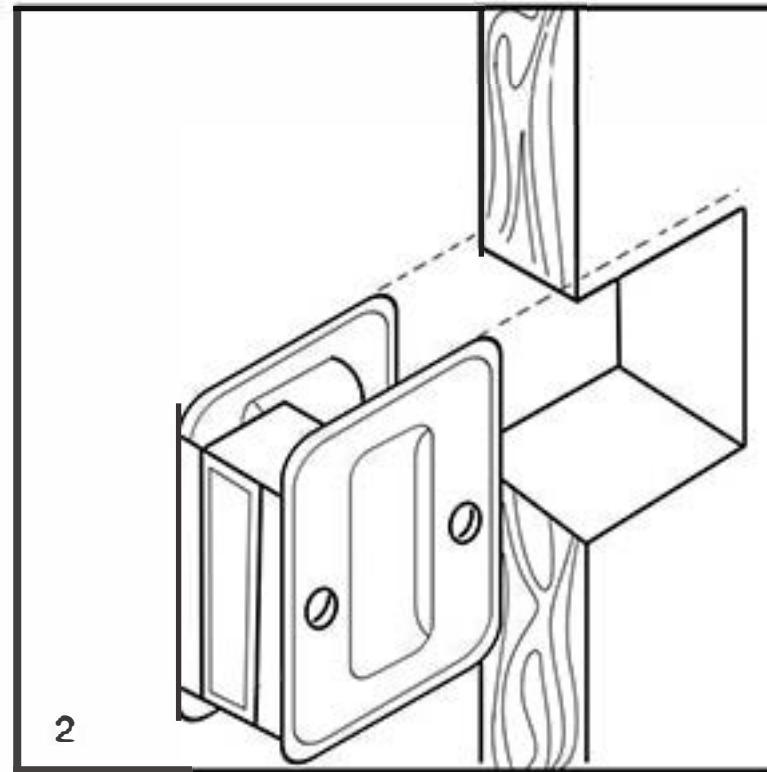


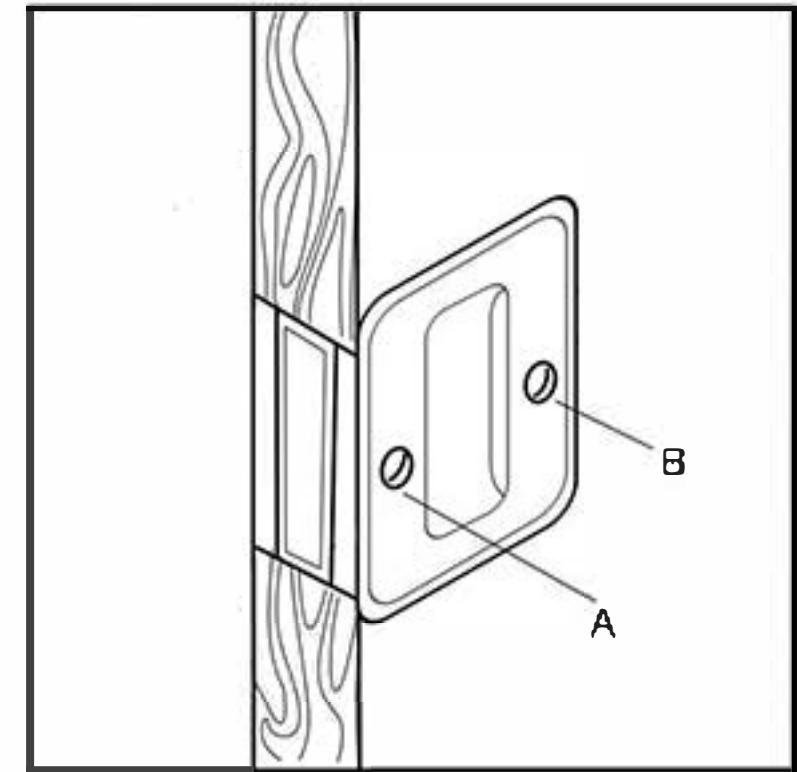
## INSTALLATION INSTRUCTIONS / Fits Door Thickness: 13/8"



Cut one simple notch in door.



Slip pull into position as shown.



(A) Fasten machine screw which tightens and automatically aligns pull.  
(B) Insert wood screw and tighten.