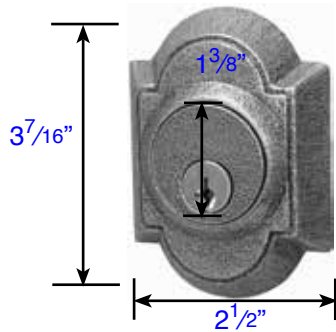
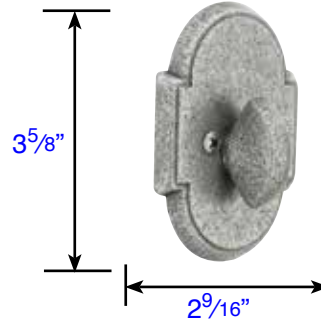


#1 Style Deadbolt

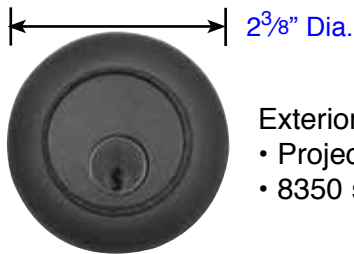


Exterior Trim (8461)
• Projection is ⁵/₈"
• 8361 same on both sides

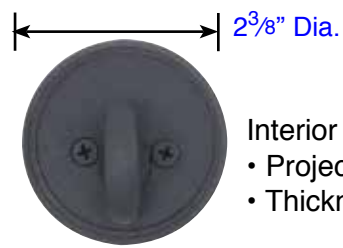


Interior Trim (8461)
• Projection is 1¹/₄"
• Thickness is ¹/₄"

#2 Style Deadbolt

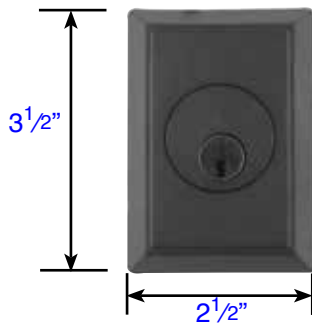


Exterior Trim (8452)
• Projection is 2³/₈"
• 8350 same on both sides

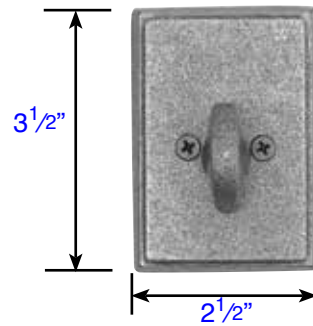


Interior Trim (8452)
• Projection is 1¹/₄"
• Thickness is ¹/₄"

#3 Style Deadbolt



Exterior Trim (8463)
• Projection is 2¹/₂"
• 8363 same on both sides



Interior Trim (8463)
• Projection is 1¹/₄"
• Thickness is ¹/₄"

Wrought Steel #2 Style Deadbolt, Single Cylinder (8352)

- Standard Door Thickness: 1³/₈" - 2"
- Standard Components:
 - Single Cylinder Tailpiece
 - 2¹/₄" Deadbolt Mounting Screws
 - Deadbolt Strike Plate

- *Extended* Door Thickness: 2" - 2³/₄"
- Extended Components:
 - Long Single Cylinder Tailpiece
 - 2¹/₂" & 3" Deadbolt Mounting Screws
 - Deadbolt Strike Plate

- *Extended* Door Thickness: 2³/₄" - 3"
- Extended Components:
 - Extra Long Single Cylinder Tailpiece
 - 3¹/₂" Deadbolt Mounting Screws
 - Deadbolt Strike Plate

Wrought Steel #2 Style Deadbolt, Double Cylinder (8350)

- Standard Door Thickness: 1³/₈" - 2"
- Standard Components:
 - Long Double Cylinder Tailpieces
 - 2¹/₂" & 3" Deadbolt Mounting Screws
 - Deadbolt Strike Plate

- *Extended* Door Thickness: 1⁷/₈" - 2¹/₂"
- Extended Components:
 - Long Double Cylinder Tailpieces
 - 3" & 3¹/₂" Deadbolt Mounting Screws
 - Deadbolt Strike Plate

Wrought Steel #1 & #3 Style Deadbolt, Single Cylinder (8461 & 8463)

- Standard Door Thickness: 1³/₄" - 2¹/₈"
- Standard Components:
 - Single Cylinder Tailpiece
 - 2¹/₄" Deadbolt Mounting Screws
 - Deadbolt Strike Plate

- *Extended* Door Thickness: 2¹/₈" - 2⁷/₈"
- Extended Components:
 - Long Single Cylinder Tailpiece
 - 2¹/₂" & 3" Deadbolt Mounting Screws
 - Deadbolt Strike Plate

- *Extended* Door Thickness: 2⁷/₈" - 3³/₈"
- Extended Components:
 - Extra Long Single Cylinder Tailpiece
 - 3¹/₂" Deadbolt Mounting Screws
 - Deadbolt Strike Plate

Wrought Steel #1 & #3 Style Deadbolt, Double Cylinder (8361 & 8363)

- Standard Door Thickness: 1³/₄" - 2¹/₈"
- Standard Components:
 - Double Cylinder Tailpieces
 - 2¹/₄" Deadbolt Mounting Screws
 - Deadbolt Strike Plate

- *Extended* Door Thickness: 2¹/₈" - 2⁷/₈"
- Extended Components:
 - Long Double Cylinder Tailpieces
 - 2¹/₂" & 3" Deadbolt Mounting Screws
 - Deadbolt Strike Plate

Wrought Steel *Single-Sided* Deadbolts

#2 Style (8452)

<ul style="list-style-type: none"> • Standard Door Thickness: 1³/₈" - 2" Standard Components: <ul style="list-style-type: none"> • Single Cylinder Tailpiece • 1³/₄" Deadbolt Mounting Screws • Deadbolt Strike Plate 	<ul style="list-style-type: none"> • <i>Extended</i> Door Thickness: 2³/₈" - 2³/₄" Extended Components: <ul style="list-style-type: none"> • Long Single Cylinder Tailpiece • 2¹/₄" Deadbolt Mounting Screws • Deadbolt Strike Plate 	<ul style="list-style-type: none"> • <i>Extended</i> Door Thickness: 2⁷/₈" - 3³/₈" Extended Components: <ul style="list-style-type: none"> • Extra Long Single Cylinder Tailpiece • 2¹/₂" & 3" Deadbolt Mounting Screws • Deadbolt Strike Plate
---	--	---

Wrought Steel *Single-Sided* Deadbolts

#1 Style (8461), #3 Style (8463),

<ul style="list-style-type: none"> • Standard Door Thickness: 1³/₄" - 2¹/₈" Standard Components: <ul style="list-style-type: none"> • Single Cylinder Tailpiece • 1³/₄" Deadbolt Mounting Screws • Deadbolt Strike Plate 	<ul style="list-style-type: none"> • <i>Extended</i> Door Thickness: 2³/₈" - 2³/₄" Extended Components: <ul style="list-style-type: none"> • Long Single Cylinder Tailpiece • 2¹/₄" Deadbolt Mounting Screws • Deadbolt Strike Plate 	<ul style="list-style-type: none"> • <i>Extended</i> Door Thickness: 2⁷/₈" - 3³/₈" Extended Components: <ul style="list-style-type: none"> • Extra Long Single Cylinder Tailpiece • 2¹/₂" & 3" Deadbolt Mounting Screws • Deadbolt Strike Plate
--	--	---

Deadbolt Strike Plates

