

Cylinder Floor Bumpers *with Screws*

Description	Product Code
1 ½" Cylinder Floor Bumper	2257
2" Cylinder Floor Bumper	2258

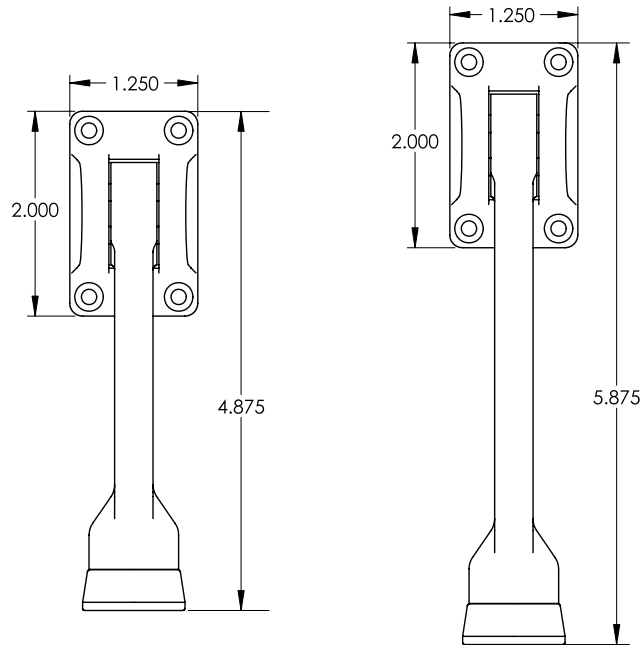


Cylinder Floor Bumpers with Dome Cap *with Screws*

Description	Product Code
1 ½" Cylinder Floor Bumper with Dome Cap	2259
2" Cylinder Floor Bumper with Dome Cap	2260



DIMENSIONS ARE IN INCHES



Kickdown Door Holders with Screws

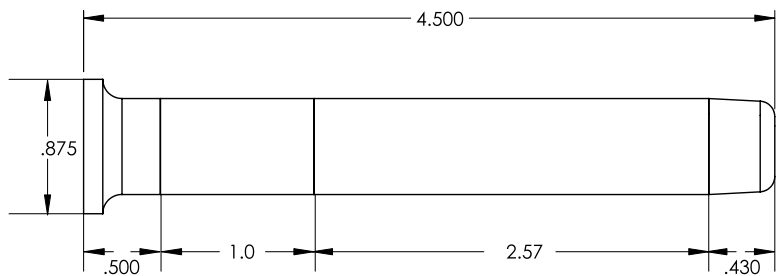
Description	Product Code
4" Kickdown Door Holder	2264
5" Kickdown Door Holder	2265



Extendable Baseboard Door Bumper

Product Code
2233

>> Includes 3", 1", and ½" base with 2" screw

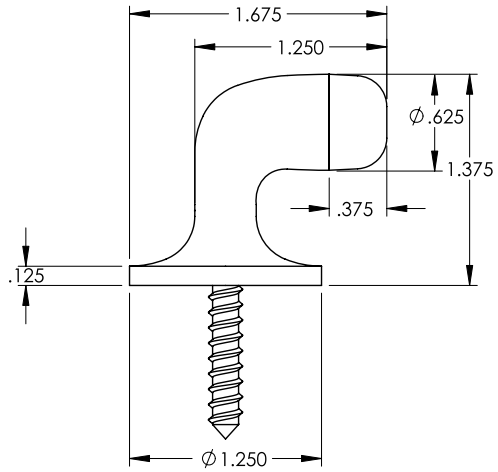


DIMENSIONS ARE IN INCHES



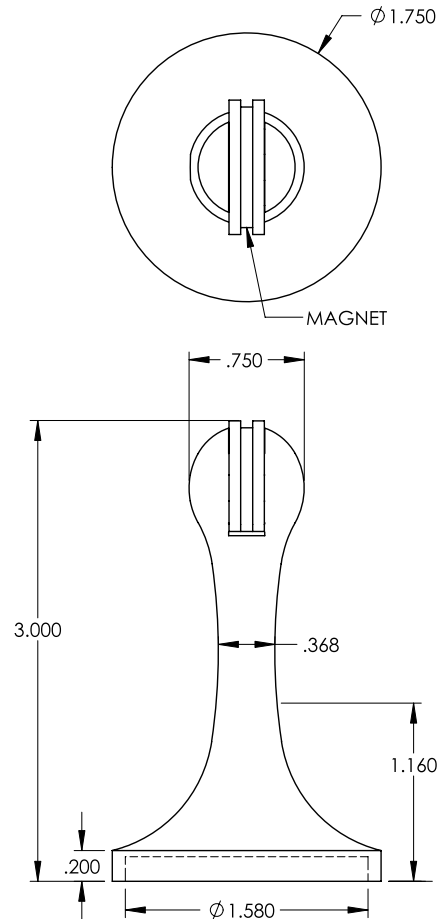
Floor Door Bumper

Product Code
2254



3" Magnetic Door Stop & Holder

Product Code
2256



DIMENSIONS ARE IN INCHES