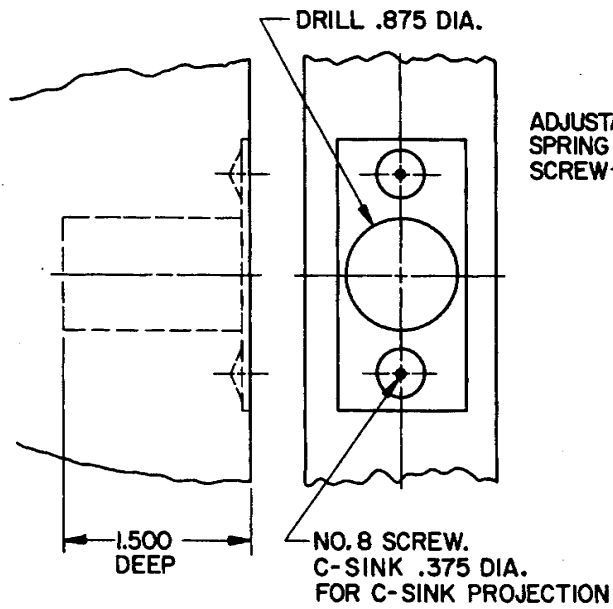


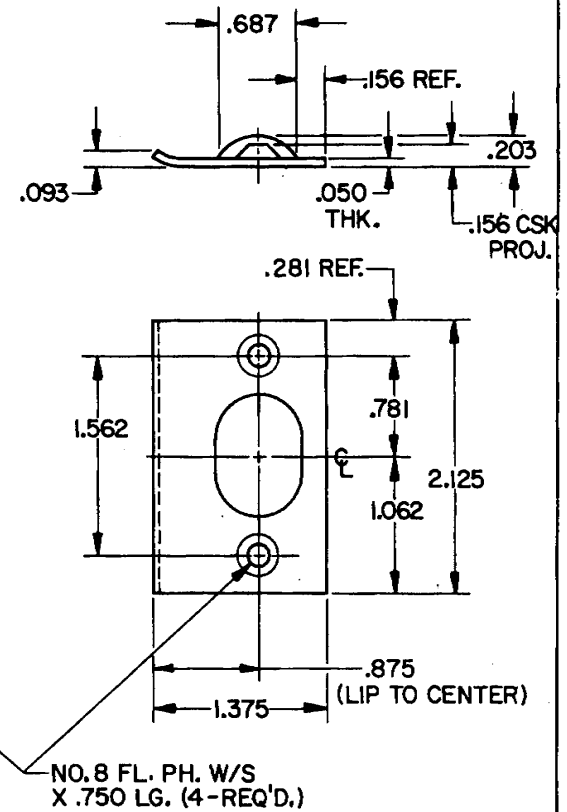
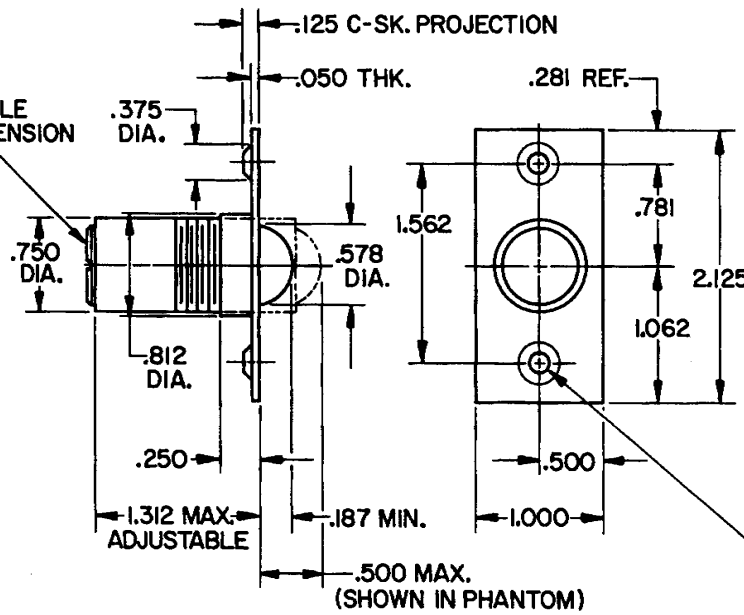
DOOR DETAIL

CATCH DETAIL

STRIKE DETAIL



ADJUSTABLE
SPRING TENSION
SCREW



NOTE:

1.) RECOMMENDED FOR USE WHEN CATCH IS FITTED IN THE DOOR.

EFFECTIVE 5-1-88 R.A.D. 3

B. BALDWIN	
0426 ADJ. BALL CATCH	
TEMPLATE NO. VARIATIONS	TEMPLATE NO.
	A180

DO NOT SCALE DRAWING

©1988 by Baldwin Hardware Corporation