

Additional Dimensions: (Part # 4415)

- Exterior Projection is 2 3/4"
- Interior Projection Depends on Handle Style
- Overall Grip thickness: 1 1/4"
- Clearance between door & grip is 2"
- Plates thickness: 1/2"

*Same Dimensions for
Double Cylinder & Dummy Function*

Brass Tubular Entryset Monolithic & Full Length, Single Cylinder

Marietta (4411), Orleans (4311), Arts & Crafts (4811), Wilshire (4211), Wilmington (4314), Melrose (4212), Ribbon & Reed (4711), Imperial (4911), Richmond (4313), Adams (4414), Jefferson (4415)

<p>• Standard Door Thickness: 1³/₄" - 2¹/₈"</p> <p>Standard Components:</p> <ul style="list-style-type: none"> • 1¹/₂" Rosette Screws • Single Cylinder Tailpiece • Outside Entry Spindle • Inside Passage Half Spindle • 2¹/₄" Deadbolt Mounting Screws • Full-Lip Strike Plate • Deadbolt Strike Plate 	<p>• Extended Door Thickness: 2¹/₄" - 2¹/₂"</p> <p>Extended Components:</p> <ul style="list-style-type: none"> • 2" Rosette Screws • Long Single Cylinder Tailpiece • Long Outside Entry Spindle • Long Inside Passage Half Spindle • 3" Deadbolt Mounting Screws • Spindle Extensions • Extended Full-Lip Strike Plate • Deadbolt Strike Plate 	<p>• Extended Door Thickness: 2¹/₂" - 3"</p> <p>Extended Components:</p> <ul style="list-style-type: none"> • 2¹/₂" Rosette Screws • Extra Long Single Cylinder Tailpiece • Long Outside Entry Spindle • Extra Long Inside Passage Half Spindle • 3" Deadbolt Mounting Screws • Spindle Extensions • Extended Full-Lip Strike Plate • Deadbolt Strike Plate
---	--	--

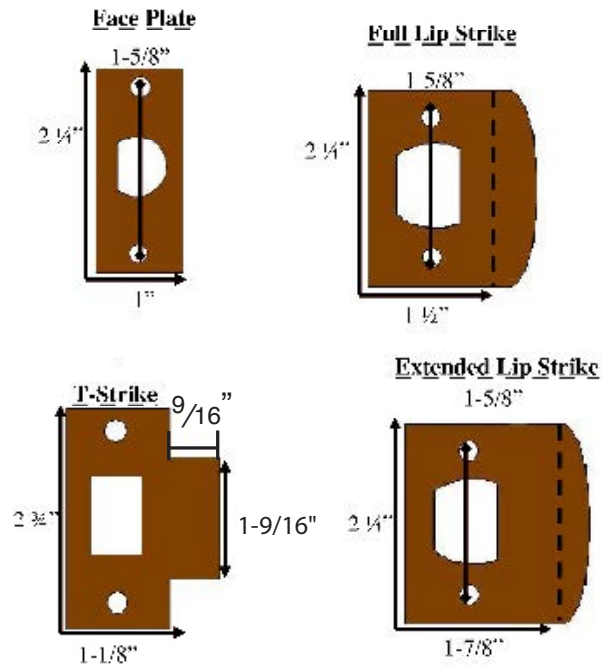
Brass Tubular Entryset Monolithic & Full Length, Double Cylinder

Marietta (4421), Orleans (4321), Arts & Crafts (4821), Wilshire (4221), Wilmington (4324), Melrose (4212), Ribbon & Reed (4721), Imperial (4921), Richmond (4323), Adams (4424), Jefferson (4425)

<p>• Standard Door Thickness: 1³/₄" - 2"</p> <p>Standard Components:</p> <ul style="list-style-type: none"> • 1¹/₂" Rosette Screws • Double Cylinder Tailpiece • Outside Entry Spindle • Inside Passage Half Spindle • 2¹/₄" Deadbolt Mounting Screws • Full-Lip Strike Plate • Deadbolt Strike Plate 	<p>• Extended Door Thickness: 2" - 2⁵/₈"</p> <p>Extended Components:</p> <ul style="list-style-type: none"> • 2" Rosette Screws • Long Double Cylinder Tailpiece • Long Outside Entry Spindle • Long Inside Passage Half Spindle • 3" Deadbolt Mounting Screws • Spindle Extensions • Extended Full-Lip Strike Plate • Deadbolt Strike Plate 	<p>• Extended Door Thickness: 2⁵/₈" - 2⁷/₈"</p> <p>Extended Components:</p> <ul style="list-style-type: none"> • 2¹/₂" Rosette Screws • Long Double Cylinder Tailpiece • Long Outside Entry Spindle • Extra Long Inside Passage Half Spindle • 3¹/₂" Deadbolt Mounting Screws • Spindle Extensions • Extended Full-Lip Strike Plate • Deadbolt Strike Plate
--	---	--

* Part # DB4-COLLAR32 Available for 1³/₈" Thick Doors

Face and Strike Plates



Deadbolt Strike Plates

