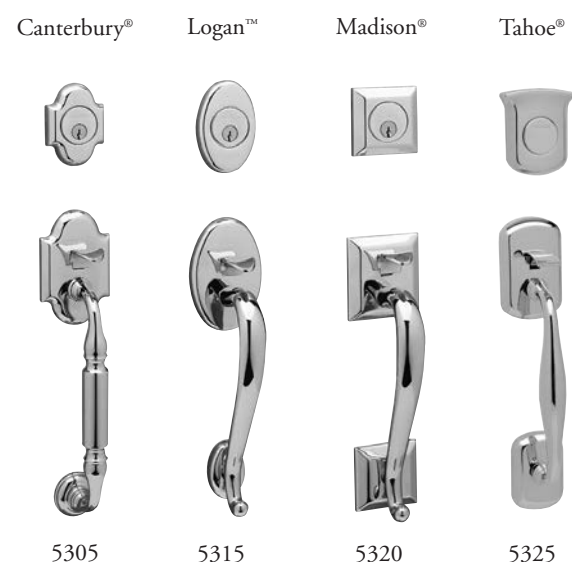


PK-5711

BALDWIN

Installation Instructions ENGLISH

Premium Entrance Set FULL DUMMY SECTIONAL TRIMS



Remember Baldwin

With the completion of your project, remember that Baldwin quality hardware products are available for all your decorating and remodeling needs. Matching entrance sets for exterior doors, beautiful bath accessories, and a complete selection of cabinet and door-enhancing hardware are all available from your Baldwin retailer.

To request a product brochure or the name of a retailer near you, call 1-800-566-1986.

PK-5711
12/11

Congratulations!

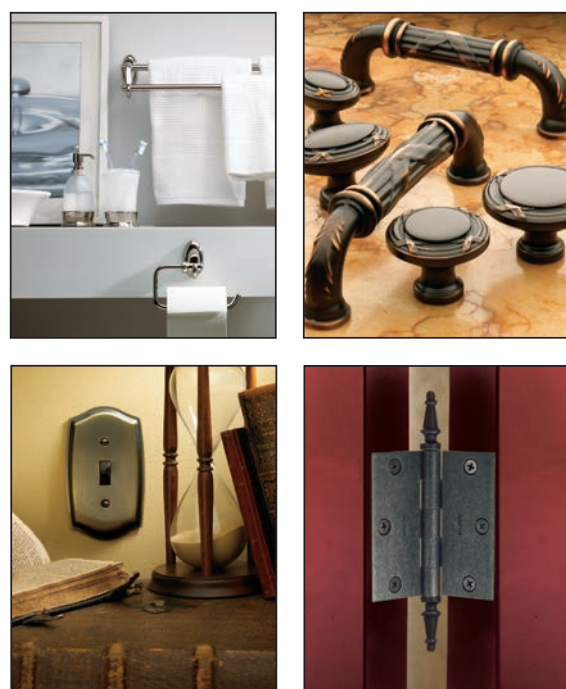
With your purchase of this Premium Full Dummy Trim Set, you're among a group of discerning individuals who know the intrinsic value of selecting the finest—Baldwin.

Our step-by-step installation instructions will help guide you through your project quickly and easily.

Before you begin your installation, read and understand the installation instructions and marking templates. If you have any questions, please do not hesitate to contact our Baldwin Consumer Help Line at 1-800-566-1986. We're here to help! We thank you for your purchase and wish you the fullest enjoyment of your Baldwin product.

Care and Maintenance

WARNING: Do not attempt to clean your hardware with any type of abrasive cleaners, solvents, or chemicals. These types of cleaning agents may mar the finish. A damp cloth is all that is necessary to wipe clean. Note: Finish Number 102, Oil-Rubbed Bronze, can be cleaned with light machine oil and wiped with a dry cloth.



Baldwin offers a vast array of exceptional solid brass products to elegantly enhance all areas of the home. Each collection features a wide variety of beautiful, high-fashion finishes. From door hardware to bath accessories, Baldwin provides the discriminating decorator with numerous options to accent and complement the home's ambience with distinction, taste, and fine detail.

Consumer Help Line 1-800-566-1986

Hours: 8 a.m. to 8 p.m. E.S.T. - Monday - Friday
10 a.m. to 6 p.m. E.S.T. - Saturday
If you have trouble installing your Baldwin product, feel free to call our toll-free Consumer Help Line.



Browse through the Baldwin Collection of beautiful locks, bath accessories and decorative hardware. Compare styles and finishes. There are thousands of photos and descriptions available to help you coordinate hardware throughout your home. Create your ideal "wish list" then visit your Baldwin Retailer or Dealer. Visit www.baldwinhardware.com today!

BALDWIN

www.baldwinhardware.com

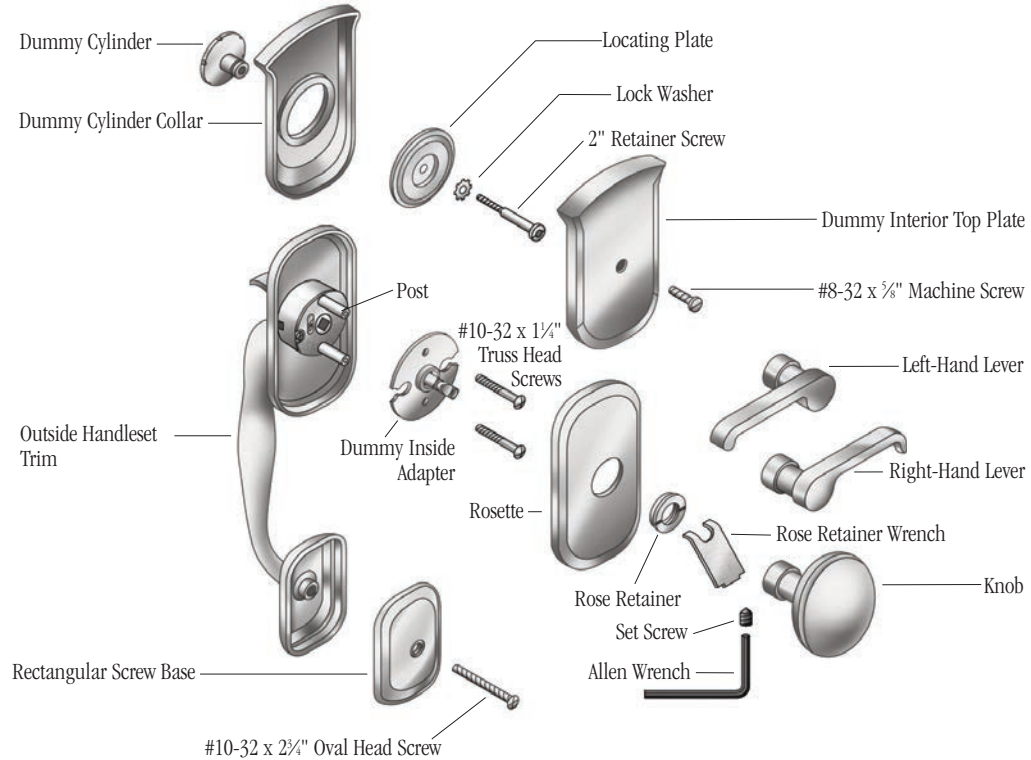
© 2011 Baldwin Hardware Corporation
841 East Wymissing Blvd., Reading, PA 19611

1 Before You Begin

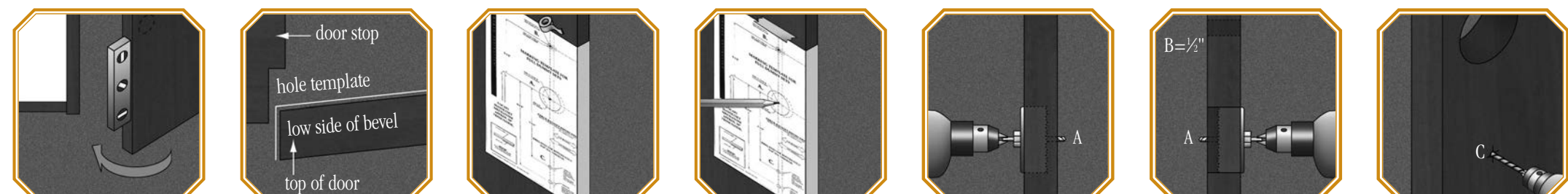
- Remove and discard all materials and screw(s) used for packing your Full Dummy Trim Set. Verify that you have all parts pictured on exploded view section of instructions.
- Check the thickness of the door. This Full Dummy Trim Set works on doors 1 1/2" thick only. For doors greater than 1 1/2" up to 2 1/4" thick, contact our Consumer Help Line at 1-800-566-1986. The conversion kit part number for this item is 5399-XXX.D; please specify the finish of your product.
- Follow the step-by-step sequence to ensure proper operation of your Baldwin lockset.
- If your door is pre-drilled, see Full Dummy installation step 1. If it is not pre-drilled, see door preparation step 1.
- We recommend spreading cardboard over floor to prevent scratching parts and marring floor.
- Always wear protective eyewear.

Note: The illustrations in these instructions depict the outside handle being installed on the right of the door. For installation of the outside handle on the left of the door, proceed as if all illustrations were reversed.

Exploded View



2 Door Preparation (If Needed)



1 Pull door toward you to check if it's level. Observe contact of door to jam and make sure it's level. Adjust if necessary.

2 (Aerial View) To ensure proper alignment, only use hole template on side facing doorstop. **Helpful Hint:** Some doors have a beveled edge with bevel facing doorstop.

3 If Full Dummy Trim will be installed next to an active door, height from bottom of door and backset must match the active door. Backset is the distance from the edge of door to center of hole (A), the 2 1/4" dia. hole. Otherwise, locate center hole (A) 38" from floor. Tape template to door.

4 Locate and mark positions for (A, B, and C) on template.

5 Very carefully drill (A) 2 1/4" hole into one side of door face until drill bit starts to protrude on opposite side. **Important:** Drill perpendicularly (at a 90° angle) to door.

6 Complete drilling hole (A) from opposite side of door. Drill (B) 1/2" hole into door exactly at pencil mark.

7 Very carefully drill (C) 1/4" hole into door exactly at pencil mark.

3 Full Dummy Installation



1 Measure the diameter of top hole (B) in door. If hole is 2 1/2", orient the locating plate as shown in fig. 1. If hole is less than 2 1/2", orient locating plate as shown in fig. 2.

2 Insert dummy cylinder through dummy cylinder collar and into outside of door. From inside, insert retaining screw through lock washer and locating plate, then screw into dummy cylinder.

3 Place the dummy interior top plate over locating plate and fasten in place using the #8-32 x 3/4" machine screw through hole in center of trim.

4 Attach outside handset by inserting the #10-32 x 2 1/2" oval head screw on inside of door through rectangular screw base and the lower hole (C). Leave screw loose for adjustment. **Note:** Go to door preparation if you do not have a lower hole (C).

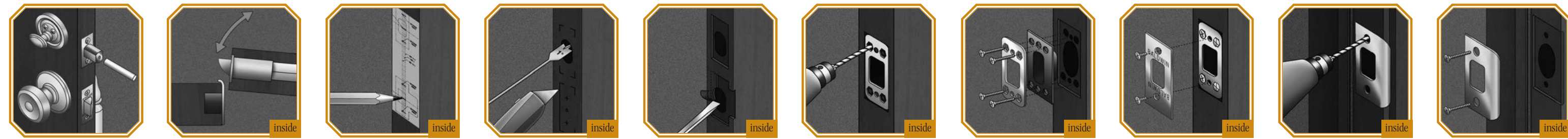
5 Place the dummy inside adapter on the door, aligning the holes in adapter with post on outside handset. Secure with two #10-32 x 1 1/4" truss head screws.

6 Place rosette over dummy inside adapter. Using rose retainer wrench, thread the rose retainer onto the threaded portion of the adapter.

7 Slide knob/lever onto dummy inside adapter with set screw hole down and toward hinges until it is flush with rosette. Insert set screw and tighten with Allen wrench.

4 For Double Door Installation Only Strikeplate Installation for Inactive Door (Strikeplate Hardware is Shipped with Active Trim)

IMPORTANT! You must install Baldwin strikeplate or your warranty is void.



1 If weather stripping is not installed, you must install weather stripping prior to strikeplate installation. Mark center of deadbolt with chalk, grease pencil, or lipstick. Shut door and lock deadbolt to mark center point on inactive door.

2 (Aerial View) Alignment of Latch Strikeplate: Curved edge of latch strikeplate should face curved side of latchbolt.

3 On inactive door, align strike hole template with center point. Mark holes for center of latch bolt and outer corners of both strikes with pencil.

4 For Deadbolt and Latch Strikeplates: Mark drill points 3/8" above and below center points. Bore two 1" holes 1 1/4" deep for deadbolt disubox and two 1" holes 1" deep for latch disubox. Score chisel guide into door frame with utility knife.

5 For Deadbolt and Latch Strikeplates: Chisel out holes for disuboxes. Chisel out cavity so deadbolt strikeplate and latch strikeplate fit flush with doorframe. For deadbolt strikeplate, cavity is 3/8" deep. For latch strikeplate, cavity is 1/2" deep.

6 For Deadbolt Strikeplate: Using reinforcing strikeplate as a template, drill four 3/8" pilot holes for #8 x 3/4" combination screws.

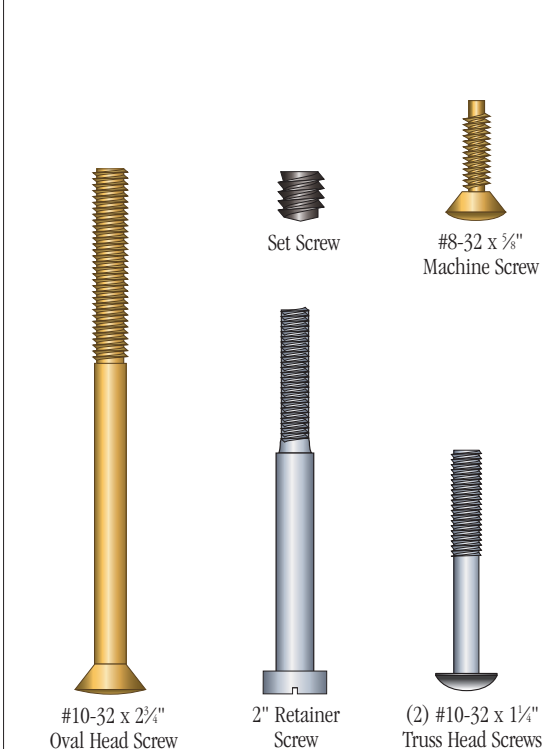
7 For Deadbolt Strikeplate: Insert disubox into hole, add reinforcing strike, and secure with four #8 x 3/4" combination screws. Two screws are supplied with active trim and two are supplied with dummy trim. **Important:** Do not install 3" screws in double door applications. **Helpful Hint:** When installing wood screws it is recommended to put beeswax or soap on screw threads to improve installation.

8 For Deadbolt Strikeplate: Add strikeplate and secure with #8-32 x 1/4" screws.

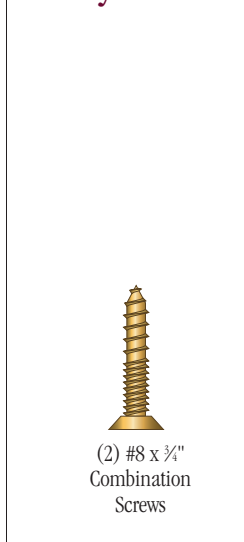
9 For Latch Strikeplate: Using latch strikeplate as a template, drill two 3/8" pilot holes for the #8 x 3/4" screws.

10 For Latch Strikeplate: Insert disubox into hole, add strikeplate, and secure by inserting #8 x 3/4" wood screws into pilot holes.

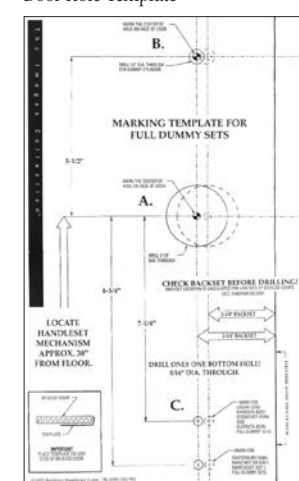
Handleset Installation Fasteners



Strikeplate Installation Fasteners for Double Door Installation Only



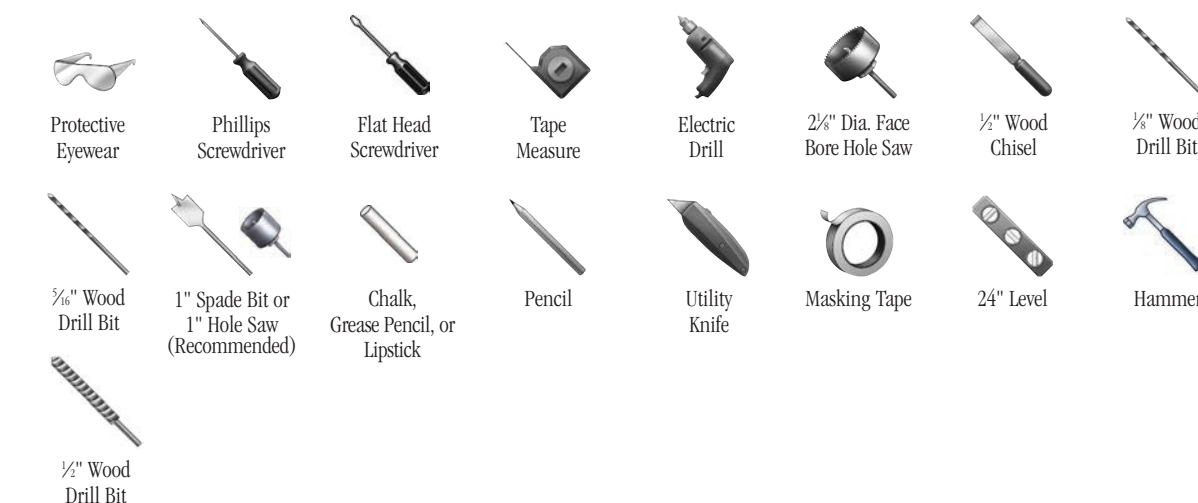
Door Hole Template



Door Frame Template



Required Tools



Helpful Tools



Troubleshooting Guide

If parts are missing do not return product. Please call Baldwin's Consumer Help Line at 1-800-566-1986 and we will quickly send the parts to you.

Problem
Screws are all tight but the hardware is not firmly attached to the door.

Solution
Check door thickness. Door must be 1 1/2" thick. Hardware will not install on doors less than 1 1/2" thick.

Knob or lever keeps coming off the spindle.

Ensure that set screw on knob or lever is fully tightened on the spindle with Allen wrench provided. Refer to full dummy installation step 7.