

AGELESS IRON™

Installation Instructions For Rosettes, Short Plates & Long Plates

Passage, Privacy and Dummy

With step-by-step Installation Pictograms & Drilling Template



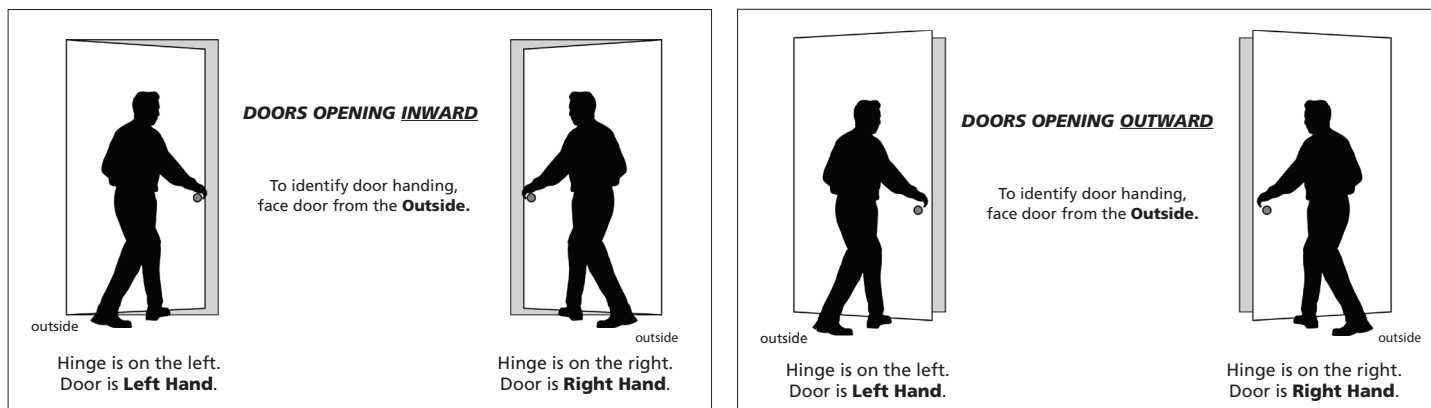
Tools Required: #2 Phillips Screwdriver (Not power tools)

Door Handing - Rosettes, Short Plates and Long Plates

Door handing is critical for Split-Finish, or Split-Design products. It's also used to determine where the Interior and Exterior halves of the lockset are located on the door. And, it's used to position the latch tongue in relation to the strike plate.

Inside of Door - The **Inside** of a door refers to the side of the door that faces the room. For example, for a bedroom door on a hallway, the **Inside** of the door would face the bedroom.

Outside of Door - The **Outside** of a door refers to the side of the door that faces away from the room. The **Outside** of a door is generally more visible to visitors, and therefore a rosette on this side of the door has no visible screws. For example, on a bedroom door, the **Outside** would face the hallway.

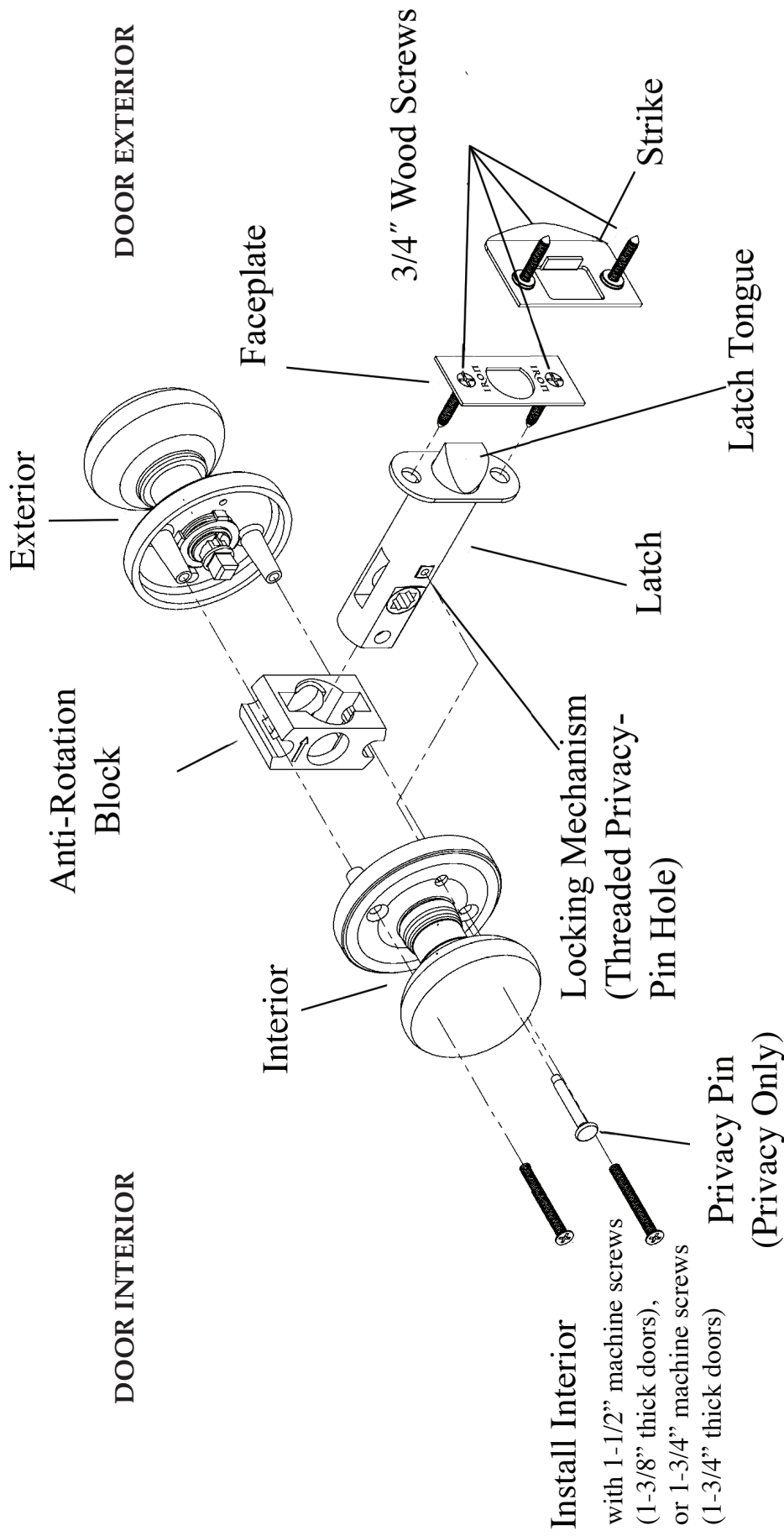


INSTALLATION RULES:

- 1) Lockset machine mounting screws are inserted from the inside.
- 2) Privacy pin holes are next to the door side containing the latch.
- 3) Latch tongues have a beveled side, and this side should contact the curved side of the face plate, and curved side of the strike plate.
(See *Latch Tongue Note on page 3.)



EXPLODED DRAWING FOR ROSETTE, SHORT PLATE AND LONG PLATE PASSAGE AND PRIVACY FUNCTIONS



Watch video

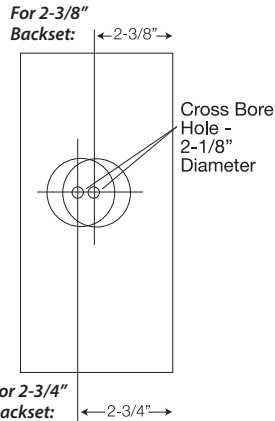
AGELESS **IRON**

Installation Instructions Rosettes, Short and Long Plates

Tools Required: #2 Phillips Screwdriver (Not power tools)

A

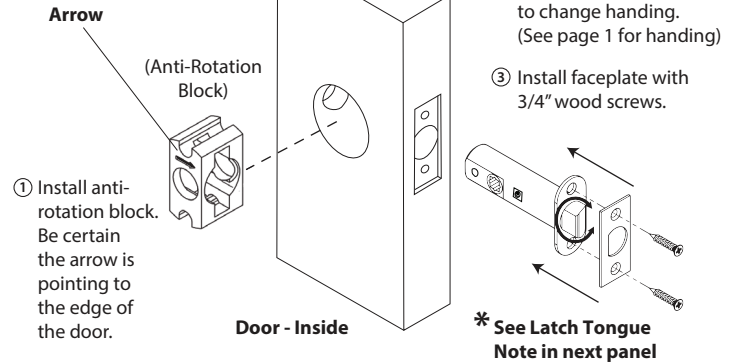
Backset Information



NOTE:
DRILLING
TEMPLATES
ON
SEPARATE
INCLUDED
SHEET

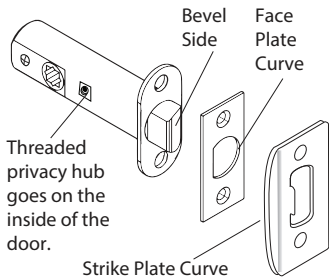
B

Install Latch



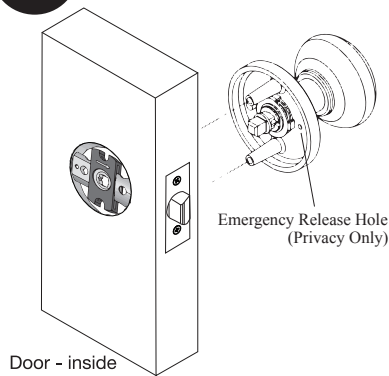
* Latch Tongue Note

Bevel side of latch tongue should contact curved side of face plate, and curved side of strike plate.



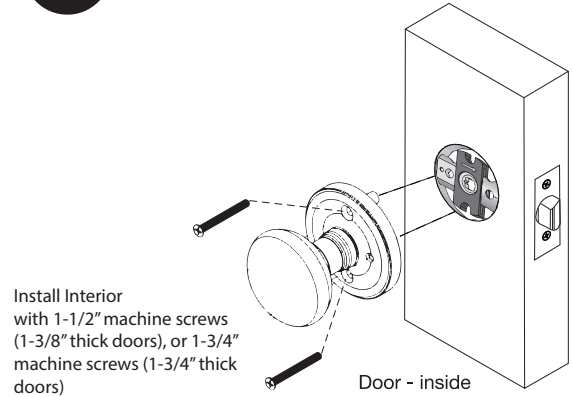
C

Install Exterior Half of Lockset



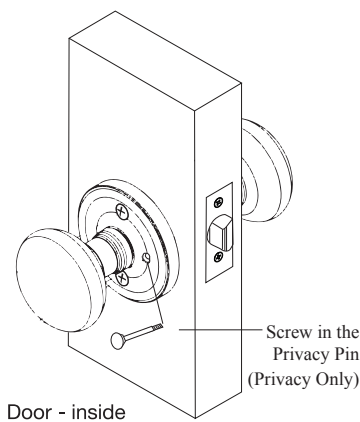
D

Install Interior Half of Lockset



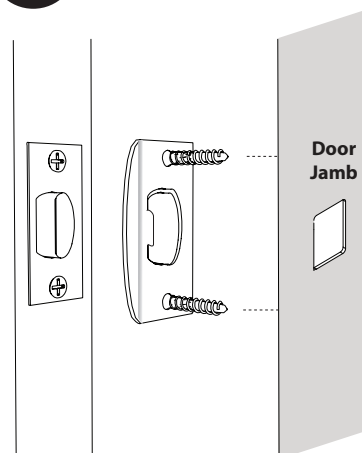
E

Install Privacy Pin



F

Install Strike Plate



Attach the strike plate to the door jamb using 3/4" long wood screws.



AGELESS IRON™